

PARTS CATALOGUE



SCOOTERS

KS60JA(FR)

X-Town City 300 E5



Release Date : 2022/11/21
Print Date : 2022/11/22

ABOUT THIS PARTS LIST

- This parts list is compiled all service parts for model KS60JA(FR).
- Any difference between color chart and motorcycle will be revised according to motorcycle.
- The Mark:
 1. Marking "***" must add color code in the end before ordering parts.
 2. Marking "#" are parts with modification, Please find the details from e-Parts system.
- When modification or additions to this parts list are made a revised edition at an appropriate time.



CONTENTS

● ABOUT THIS PARTS LIST	1
● COLOR CHART OF KS60JA(FR)	3
● CONTENTS-ENGINE GROUP	7
● CONTENTS-FRAME GROUP	8
● ENGINE PARTS LIST	11
● FRAME PARTS LIST	37
● PART NO. INDEX	107

NO	MODEL			COLOR CHART OF KS60JA(FR)			
	PHOTO NO			NO. 1	NO. 2		
	BASIC COLOR			Mat Black	Mat Blue		
	CODE			Mat Black	Mat Blue		
	PARTS NAME	PARTS NO.	VERSION	CH294FA	CB663FA		
1	"FENDER, SIDE R"	61101-AGE7-C00	0	66P			
2	"FENDER, SIDE L"	61102-AGE7-C00	0				
3	FENDER FR	61100-AGE7-C00	0				
4	"MOLDING,R FRONT"	64302-AGE7-C00	0				
5	"MOLDING,L FRONT"	64303-AGE7-C00	0				
6	COVER CENTER	80151-AGD8-C00	0	66P	86P		
7	COVER CENTER	80153-AGE7-C00	0				
8	"COVER, R BODY"	83500-AGE7-C00	0				
9	COVER L BODY	83600-AGE7-C00	0				
10	MUFFLER ASSY	1830A-AGE7-EZ5	0				
11	PROTECTOR MUFF	18318-AGE2-E00	0		DKX		
12	CAP ASSY R COVER	9008A-KHE7-C00	0		F1P		
13	LEVER R STRG HANDLE	53175-LKF5-C00	0		M3A		
14	LEVER L STRG HANDLE	53178-LKF5-C00	0				
15	WHEEL COMP RR CAST	42601-AGE7-C00	0		N1A		
16	WHEEL FR CAST	44601-AGE7-C00	0				
17	"ELEMENT COMP., L	11350-LHG7-C00	0				
18	"COVER,RADIATOR"	19025-AGE7-C00	0				
19	COVER ASSY BATTERY	5032A-AGE7-C00	0				
20	COVER UNDER	50610-AGE7-C00	0				
21	GRIP COMP THROT	53140-LHJ3-900	0		N1R		
22	GRIP L HANDLE	53150-LEA6-900	0				
23	FR METER COVER	53203-AGE7-C00	0				
24	COVER METER	53204-AGE7-C00	0				
25	COVER HANDLE FR	53205-AGE7-C00	0				
DATE OF STARTING-SALES							
DATE OF END-SALES							

NO	MODEL			COLOR CHART OF KS60JA(FR)						
	PHOTO NO			NO. 1	NO. 2					
	BASIC COLOR			Mat Black	Mat Blue					
	CODE			Mat Black	Mat Blue					
	PARTS NAME	PARTS NO.	VERSION	CH294FA	CB663FA					
26	COVER HANDLE RR	53206-ABD2-C00	0	N1R						
27	FENDER FR INNER	61110-AGE7-C00	0							
28	"COLLAR,WIND	64223-LEA7-C00	0							
29	COVER FR	64301-AGE7-C00	0							
30	COVER FR LIGHT	64304-AGE7-C00	0							
31	COVER R SIDE MOLD	64307-AGE7-C01	0							
32	COVER L SIDE MOLD	64308-AGE7-C01	0							
33	"LID,COOLING TANK	64311-AEF6-C00	0							
34	"COVER, PUMP"	64311-AGE7-C00	0							
35	FLOOR PANEL	6431A-AGE7-C00	0							
36	"MAT ,R FLOOR"	64320-AGE7-C00	0							
37	"MOLDING, R FR."	6432A-AGE7-C01	0							
38	"MOLDING, L FR."	6432B-AGE7-C01	0							
39	"MAT ,L FLOOR"	64330-AGE7-C00	0							
40	COWL UNDER	64400-AGE7-C00	0							
41	FENDER RR INNER	80101-AGE8-E00	0							
42	FENDER RR UP	80105-AGE7-C00	0							
43	FENDER RR LOW	80106-AGE7-C00	0							
44	"LID,FUEL CAP MAINT."	80152-AGE7-900	0							
45	"LID,FUEL CAP MAINT."	80152-AGE7-C00	0							
46	COVER CENTER LOW	80161-AGE7-900	0							
47	COVER CENTER LOW	80161-AGE7-C00	0							
48	HINDE R COVER LEG	81133-AGE7-900	0							
49	HINDE R COVER LEG	81133-AGE7-C00	0							
50	"BOX ASSY.,L FRONT"	81134-AGE7-C00	0							
DATE OF STARTING-SALES										
DATE OF END-SALES										

NO	MODEL			COLOR CHART OF KS60JA(FR)							
	PHOTO NO			NO. 1	NO. 2						
	BASIC COLOR			Mat Black	Mat Blue						
	CODE			Mat Black	Mat Blue						
	PARTS NAME	PARTS NO.	VERSION	CH294FA	CB663FA						
51	LEG SHIELD	8113A-AGE7-C00	0	N1R							
52	HINGE L COVER	81143-AGE7-900	0								
53	HINGE L COVER	81143-AGE7-C00	0								
54	GRIP L HANDLE	81150-AGE7-C00	0								
55	COVER INNER BOX	81153-AGE7-C00	0								
56	"PLATE,LUGGAGE BOX"	81251-AGE7-C00	0								
57	COVER BOX LUGGAGE	8125A-AGE8-E00	0								
58	BOX ASSY LUGGAGE	81260-AGE8-E00	0								
59	COVER R SIDE	83510-AGE7-900	0								
60	COVER R SIDE	83510-AGE7-C00	0								
61	COVER L SIDE	83610-AGE7-900	0								
62	COVER L SIDE	83610-AGE7-C00	0								
63	COVER RR CENTERER	83750-AGE7-C00	0					N1S			
64	CUSHION ASSY REAR	52400-AGE8-E60	0								
65	COVER COMP R CRANK	11331-LLJ3-C00	0	NEA							
66	COVER LEFT	11341-ABD2-C00	0								
67	COVER ASSY WATER	1922A-KHE7-C00	0								
68	CALIPER ASSYRR	43100-LGE5-C01	0								
69	"CALIPER ASSY, FR R"	45200-LKG7-C01	0								
70	FORK ASSY FRONT R	51400-AGE8-E60	0								
71	BOTTOM COMP R	51420-ABD2-C01	0								
72	FORK ASSY FRONT L	51500-AGE8-E60	0								
73	BOTTOM COMP L	51520-ABD2-C01	0								
74	SEAT ASSY	77200-AGE8-EZ5	0					T01			
75	EMB DMA STRIDER	86020-AGD8-C00	0								
DATE OF STARTING-SALES											
DATE OF END-SALES											

NO	MODEL			COLOR CHART OF KS60JA(FR)			
	PHOTO NO			NO. 1	NO. 2		
	BASIC COLOR			Mat Black	Mat Blue		
	CODE			Mat Black	Mat Blue		
	PARTS NAME	PARTS NO.	VERSION	CH294FA	CB663FA		
76	EMB B HANDLE COVER	86021-AGD8-C00	0				
77	EMB R FR FENDER	86524-ABD2-C00	0				
78	STRIPE MARK KYMCO	87160-AAC7-E60	0				
79	CAUTION FEDERAL LAW	87508-ABD2-E00	0				
80	CAUTION LIST	87512-ABD2-E00	0		T01		
81	CAUTION SIDE STAND	87541-GAR1-C01	1				
82	MARK MAINT CAUTION	87542-GAR1-C01	2				
83	LABEL FUEL TANK	87546-AGE3-E00	0				
84	MARK DRIVE CAUTION	87560-AGE8-E00	0				
85	EMB BODY COVER	86202-AGE8-E00	0		T02		
86	STRIPE FR COVER	86140-AGE7-C00	0		T05		
87	CARRIER RR	81200-AGE7-C01	0		U9A		
88	COVER HANDLE FR	53207-AGE7-C00	0				
89	SKIRT R SIDE	64305-AGE7-C00	0		U9P		
90	SKIRT L SIDE	64306-AGE7-C00	0				
DATE OF STARTING-SALES							
DATE OF END-SALES							

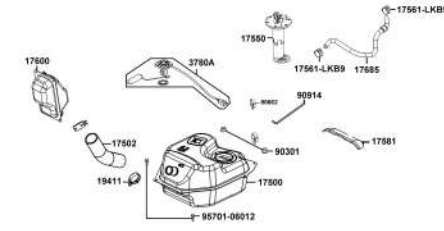
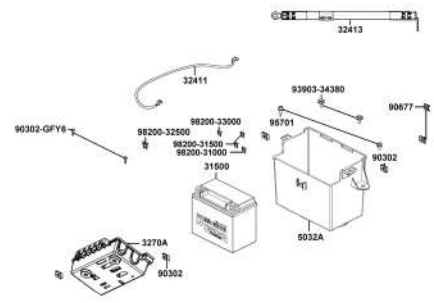
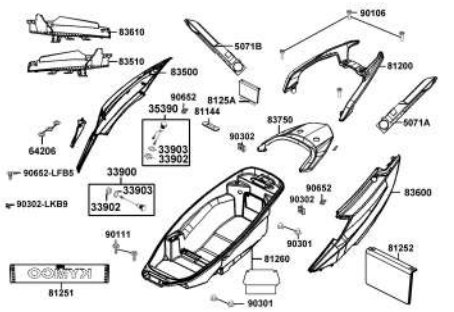
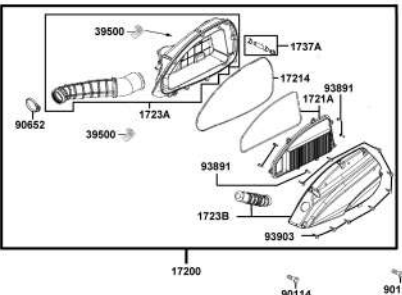
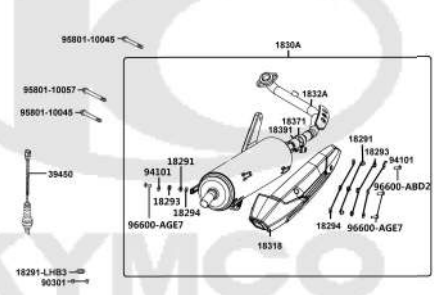
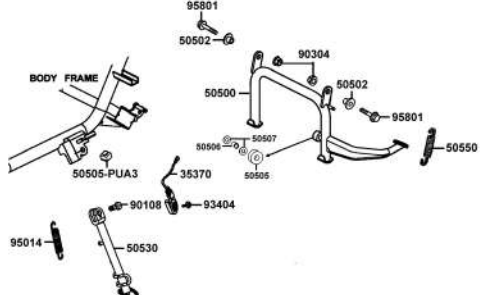
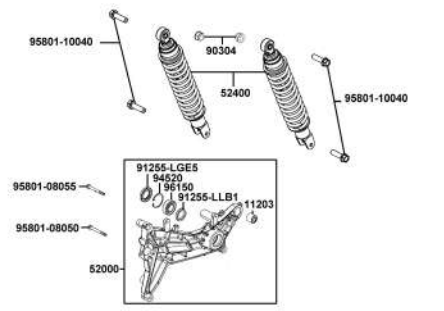
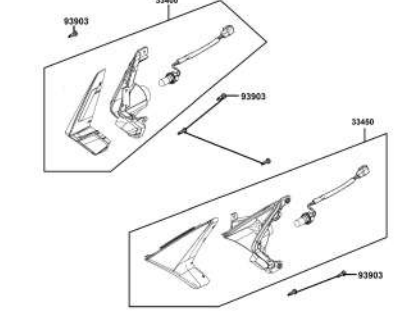
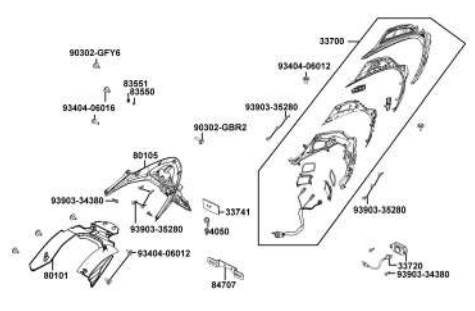
CONTENTS - ENGINE GROUP

<p>E01 Crank Case</p>	<p>E02 Cylinder Head</p>	<p>E03 Cylinder Piston Crankshaft</p>
<p>E04 Right Crankcase Cover</p>	<p>E05 Driven Pulley</p>	<p>E06 Starting Motor Oil Pump</p>
<p>E07 Transmission</p>	<p>E08 Carburetor</p>	

CONTENTS - FRAME GROUP

F01 Head Light	F02 Speedometer	F03 Handle Steering Handle Cover
F04 Brake Master Cylinder	F05 Front Cover Front Fender	F06 Stem Steering Front Cushion
F07 Front Wheel	F08 Rear Wheel	F09 Seat

CONTENTS - FRAME GROUP

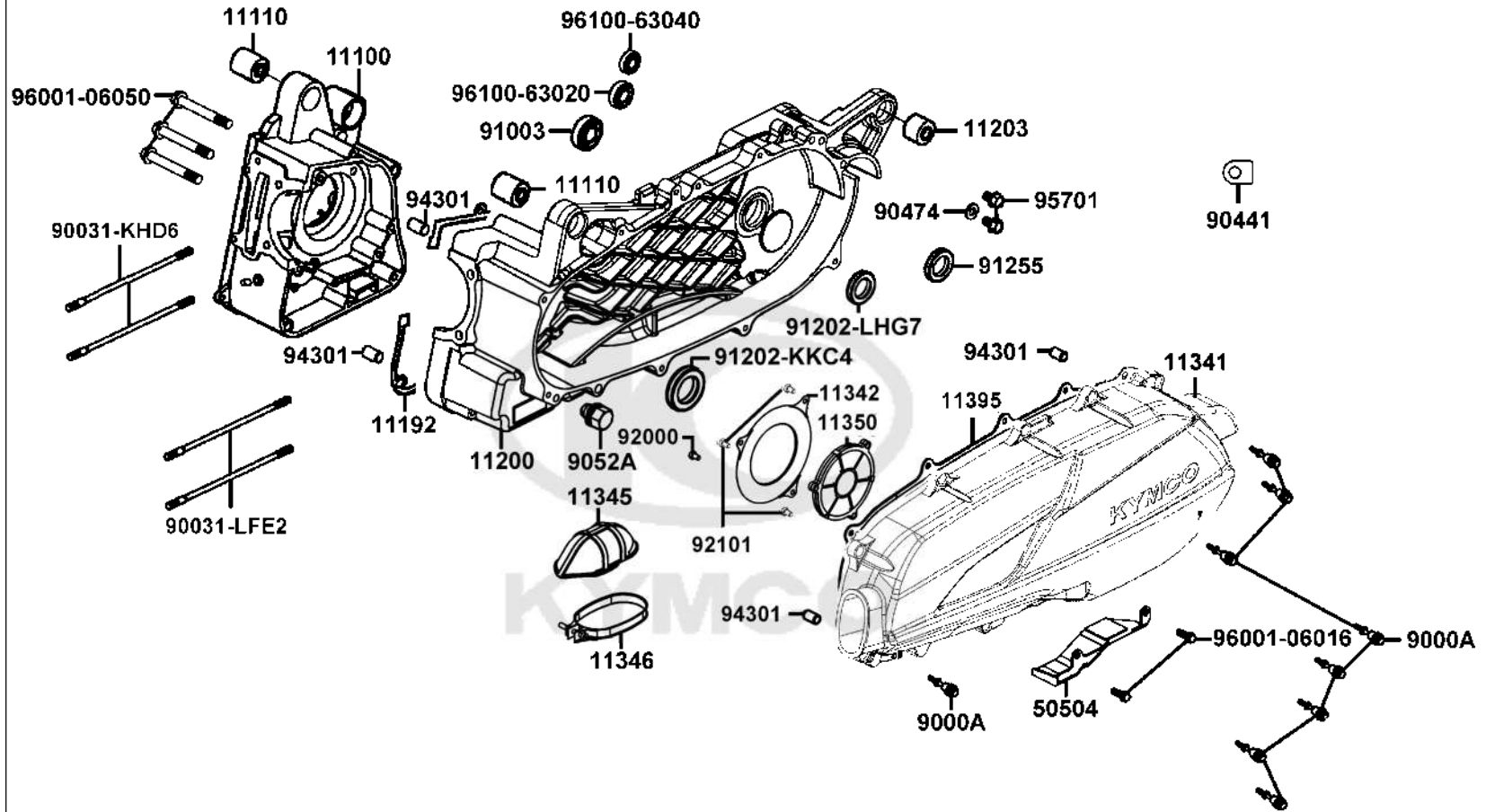
<p>F10 Fuel Tank</p> 	<p>F11 Battery</p> 	<p>F12 Body Cover Luggage Box</p> 
<p>F13 Air Cleaner</p> 	<p>F14 Exhaust Muffler</p> 	<p>F15 Stand Kick Starter Arm</p> 
<p>F16 Rear Cushion</p> 	<p>F17 Front Winker</p> 	<p>F18 Tail Light</p> 

CONTENTS - FRAME GROUP

F19 Wire Harness	F20 Frame Body	F21 Air Cleaner Two
F22 Emblem Stripe		

E01

Crank Case

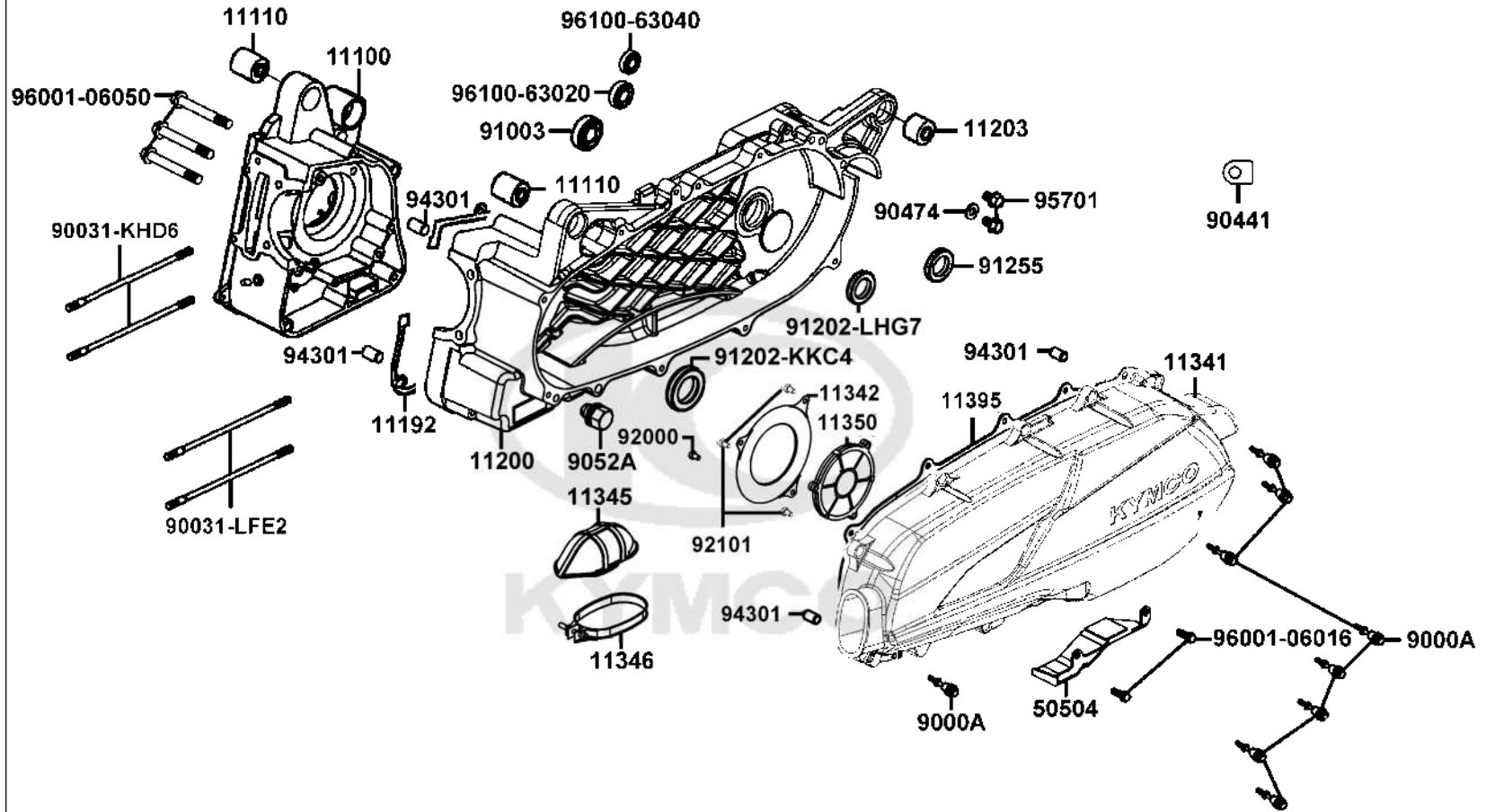


Sales mark	Ref no	Part no	Description	Reg description	Regd no
	11100	11100-LDB2-C00	CRANK CASE COMP R	CRANK CASE COMP R	1
	11110	11110-LLJ3-C00	BUSH ASSY ENG HANGER	BUSH ASSY ENG HANGER	2
	11192	11192-KHE7-980	GASKET CRANK CASE @A	GASKET CRANK CASE A	1
	11200	11200-ABD2-C00	CRANK CASE COMPL	CRANK CASE COMPL	1
	11203	11203-LBA2-C00	RUB BUSH L CASE	RUB BUSH L CASE	1
**	11341	11341-ABD2-C00	COVER LEFT	COVER LEFT	1
	11342	11342-LDF2-C00	PLATE. L. COVER	PLATE. L. COVER	1
	11345	11345-LEA7-C00	DUCT L COVER	DUCT L COVER	1
	11346	11346-GFY6-C00	BAND L COVER DUCT	BAND L COVER DUCT	1
**	11350	11350-LHG7-C00	ELEMENT COMP. L COVER	ELEMENT COMP. L COVER	1
	11395	11395-LLJ3-C00	GASKET L COVER	GASKET L COVER	1
	50504	50504-AGE7-C00	STAY MAIN STAND STOPPER	STAY MAIN STAND STOPPER	1
	9000A	9000A-KTDT-C03	BOLT ASSY SPECIAL 6*29.5(G)	BOLT ASSY SPECIAL 6*29.5(G)	9
	90031-KHD6	90031-KHD6-C01	BOLT A STUD 8*218	BOLT A STUD 8*218	2
	90031-LFE2	90031-LFE2-C01	BOLT A STUD 8*225	BOLT A STUD 8*225	2
	90441	90441-KDY4-C00	PLATE BRG HOLD	PLATE BRG HOLD	1
	90474	90474-3C33-C00	WASHER 8MM (T*2)	WASHER 8MM (T*2)	1
	9052A	9052A-LEB1-C01	BOLT ASSY DRAIN PLUG12*15(C)	BOLT ASSY DRAIN PLUG12*15(C)	1
	91003	91003-KHE7-90A	BRG BALL RADIAL TMB2/22CCS15	BRG BALL RADIAL TMB2/22CCS15	1
	91202-KKC4	91202-KKC4-C00	OIL SEAL 27X42X7	OIL SEAL 27X42X7	1

E01

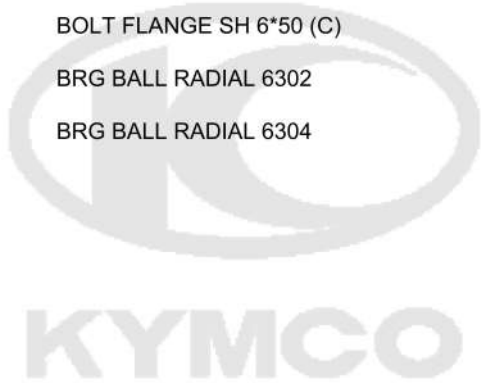
E01

Crank Case



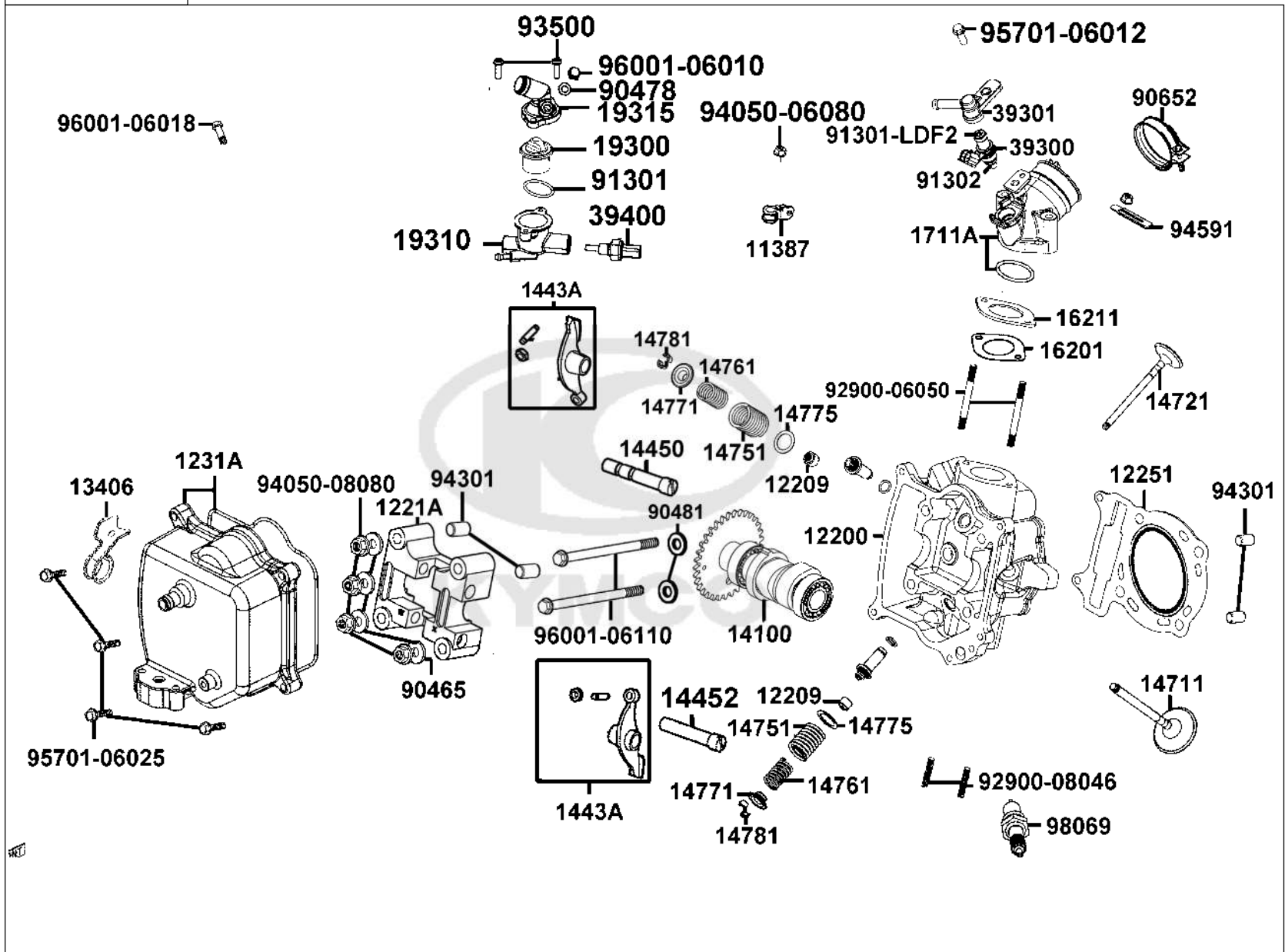
Sales mark	Ref no	Part no	Description	Reg description	Regd no
	91202-LHG7	91202-LHG7-C00	"OIL SEAL.22X34X6"	"OIL SEAL.22X34X6"	1
	91255	91255-KHE7-90A	OIL SEAL 34*52*7	OIL SEAL 34*52*7	1
	92000	92000-06012-0HG	BOLT HEX 6*12 (C)	BOLT HEX 6*12 (C)	1
	92101	92101-05012-0HG	BOLT HEX 5*12	BOLT HEX 5*12	3
	94301	94301-10160	DOWEL PIN 10*16	DOWEL PIN 10*16	4
	95701	95701-08012-08G	BOLT FLANGE 8X12(C)	BOLT FLANGE 8X12(C)	2
	96001-06016	96001-06016-08G	BOLT FLANGE SH 6x16 (C)	BOLT FLANGE SH 6*16 (CR3+)	2
	96001-06050	96001-06050-08G	BOLT FLANGE SH 6*50 (C)	BOLT FLANGE SH 6*50 (B)	3
	96100-63020	96100-63020-00	BRG BALL RADIAL 6302	BRG BALL RADIAL 6302	1
	96100-63040	96100-63040-00	BRG BALL RADIAL 6304	BRG BALL RADIAL 6304	1

E01



E02

Cylinder Head

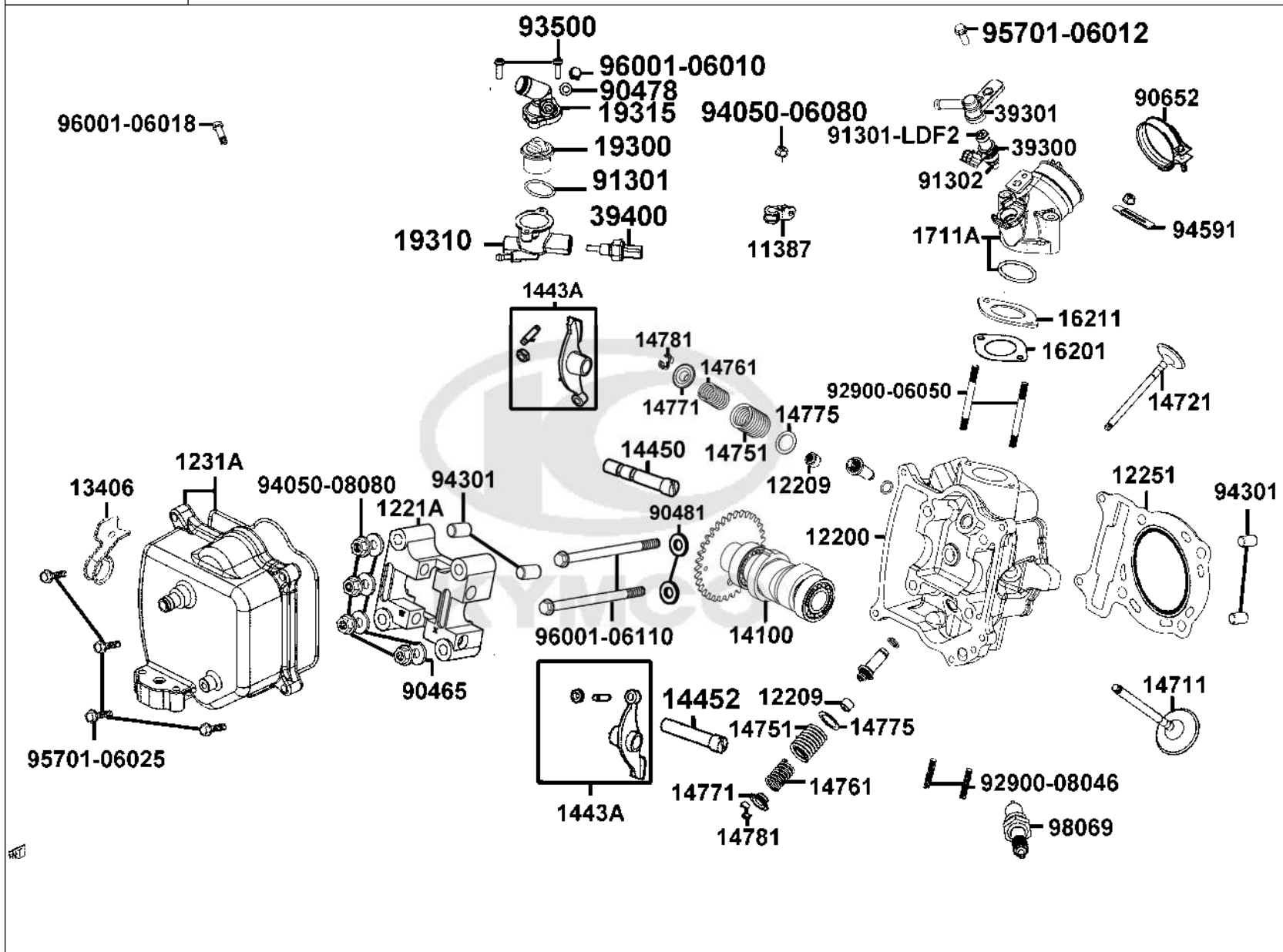


Sales mark	Ref no	Part no	Description	Reg description	Regd no
	11387	11387-ABD2-C00	"CLAMPER. BREATHER TUBE"	"CLAMPER. BREATHER TUBE"	1
	12200	12200-ABD2-C00	HEAD COMP CYLINDER	HEAD COMP CYLINDER	1
	12209	12209-GDB4-C00	SEAL VALVE STEM	SEAL VALVE STEM	1
	1221A	1221A-ABD2-C00	HOLDER COMP CAM SHAFT	HOLDER COMP CAM SHAFT	1
	12251	12251-KHE7-901	GASKET CYLINDER HEAD	GASKET CYLINDER HEAD	1
	1231A	1231A-LDE9-C00	COVER ASSY CYLINDER HEAD	COVER ASSY CYLINDER HEAD	1
	13406	13406-ABD2-C00	PLATE EX AIR INJECTOR	PLATE EX AIR INJECTOR	1
	14100	14100-ABD2-900	SHAFT COMP CAM	SHAFT COMP CAM	1
	1443A	1443A-ABD2-C00	ARM ASSY.. VALVE ROCKER"	ARM ASSY.. VALVE ROCKER"	1
	14450	14450-KEBE-900	SHAFT COMP IN ROCKER ARM	SHAFT COMP IN ROCKER ARM	1
	14452	14452-LDB2-E00	SHAFT EXH ROCKER ARM	SHAFT EXH ROCKER ARM	1
	14711	14711-LFG2-C00	VALVE INLET	VALVE INLET	1
	14721	14721-LFG2-C00	VALVE EXHAUST	VALVE EXHAUST	1
	14751	14751-ABD2-C00	SPG VALVE OUTER	SPG VALVE OUTER	2
	14761	14761-ABD2-C00	SPG VALVE INNER	SPG VALVE INNER	2
	14771	14771-GDB4-C00	RETAINER VALVE SPRING	RETAINER VALVE SPRING	2
	14775	14775-MFA6-C00	SEAT VALVE SPG OUTER	SEAT CALVE SPG OUTER	2
	14781	14781-MFA6-C00	COTTER VALVE	COTTER VALVE	4
	16201	16201-LHG7-E00	GASKET INSULATOR	GASKET INSULATOR	1
	16211	16211-LDF2-C00	INSULATOR CARB	INSULATOR CARB	1

E02

E02

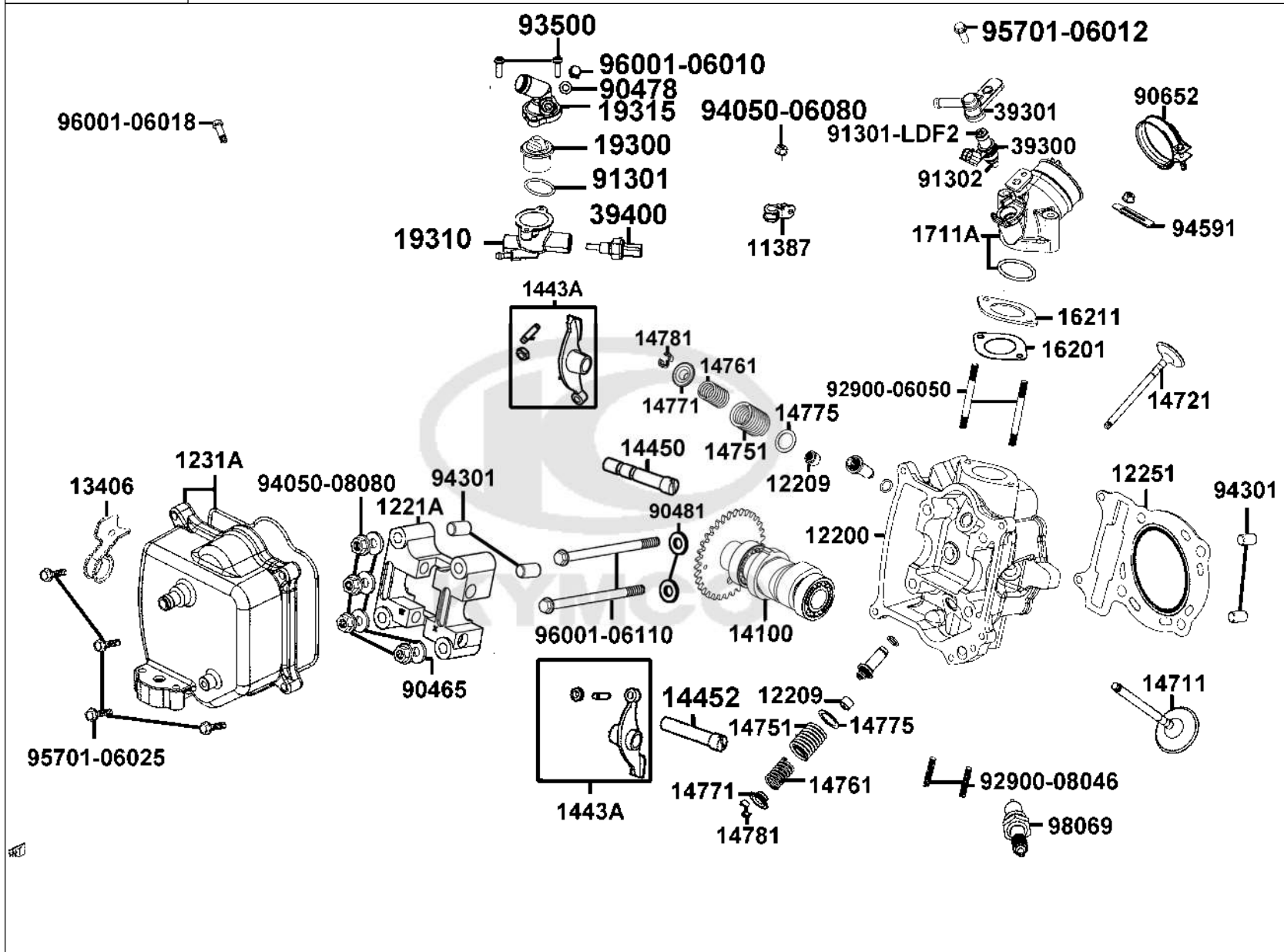
Cylinder Head



Sales mark	Ref no	Part no	Description	Reg description	Regd no	E02
	1711A	1711A-LDF2-C00	PIPE ASSY INLET	PIPE ASSY INLET	1	
	19300	19300-LFA7-E0B	THERMOSTAT ASSY.	THERMOSTAT ASSY.	1	
	19310	19310-ABD2-E00	CASE COMP THERRMO	CASE COMP THERRMO	1	
	19315	19315-LHG7-E00	COVER THERMOSTAT	COVER THERMOSTAT	1	
	39300	39300-LHG7-E00	INJECTOR FUEL	INJECTOR FUEL	1	
	39301	39301-LDF2-C00	CUP COMP FUEL INJECTOR	CUP COMP FUEL INJECTOR	1	
	39400	39400-LDF2-800	WATER TEMP SENSOR	WATER TEMP SENSOR	1	
	90465	90465-MDC4-C01	WASHER 8MM	WASHER 8MM	1	
	90478	90478-7L00-001	WASHER A 6MM	WASHER A 6MM	1	
	90481	90481-GGS7-C00	WASHER	WASHER	2	
	90652	90652-GFY6-C00	BAND 49 AIR/C CONNECTING TUBE	BAND 49 AIR/C CONNECTING TUBE	1	
	91301	91301-KHE7-900	O-RING 17.8*1.9	O-RING 17.8*1.9	1	
	91301-LDF2	91301-LDF2-M90	O-RING 7.3*2.2 (BLACK)	O-RING 7.3*2.2 (BLACK)	1	
	91302	91302-LDF2-M90	SEAL RING	SEAL RING	1	
	92900-06050	92900-06050-08G	SANG TOU LUO MU	BOLT STUD ?6*50	1	
	92900-08046	92900-08046-0BG	BOLT,STUD 8*46	BOLT,STUD 8*46	1	
	93500	93500-05016-0H	SCREW PAN 5*16	SCREW PAN 5*16	1	
	94050-06080	94050-06080-G	NUT FLANGE 6MM	NUT FLANGE 6MM	1	
	94050-08080	94050-08080-G	NUT FLANGE 8MM	NUT FLANGE 8MM	1	
	94301	94301-10160	DOWEL PIN 10*16	DOWEL PIN 10*16	1	

E02

Cylinder Head

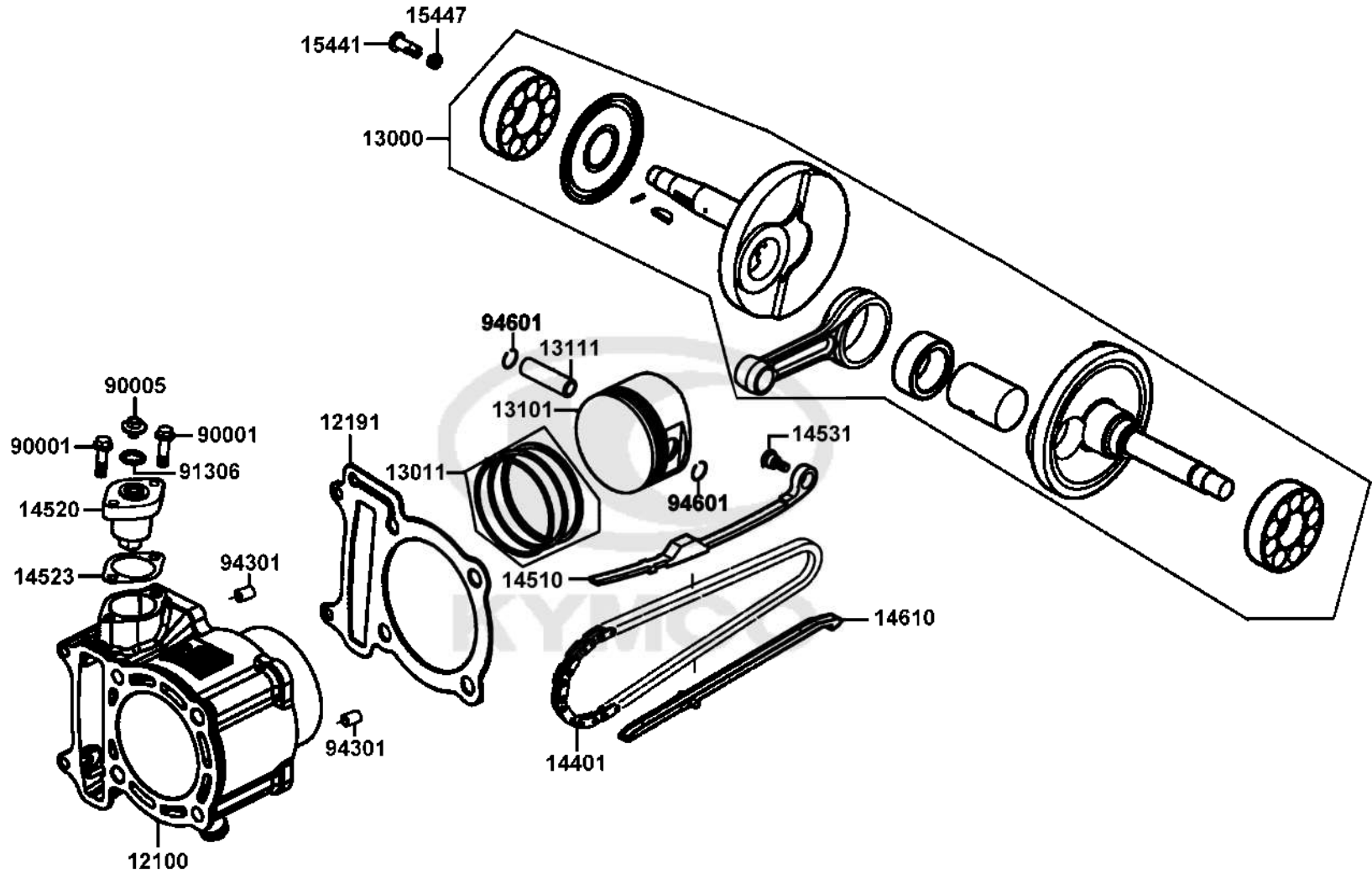


Sales mark	Ref no	Part no	Description	Reg description	Regd no	E02
	94591	94591-KFBB-C00	CLIP 2*71	CLIP 2*71	1	
	95701-06012	95701-06012-08G	BOLT FLANGE 6*12	BOLT FLANGE 6*12	1	
	95701-06025	95701-06025-07G	BOLT FLANGE 6*25 (C)	BOLT FLANGE 6*25 (C)	1	
	96001-06010	96001-06010-00	BOLT FLANGE SH 6X10	BOLT FLANGE SH 6*10	1	
	96001-06018	96001-06018-08G	BOLT FLANGE SH 6*18 (C)	BOLT FLANGE SH 6*18 (C)	1	
	96001-06110	96001-06110-08G	BOLT FLANGE SH 6*110 (B)	BOLT FLANGE SH 6*110 ©	2	
	98069	98069-5691R-00	SPARK PLUG (DPR6EA-9)	SPARK PLUG (DPR6EA-9)	1	



E03

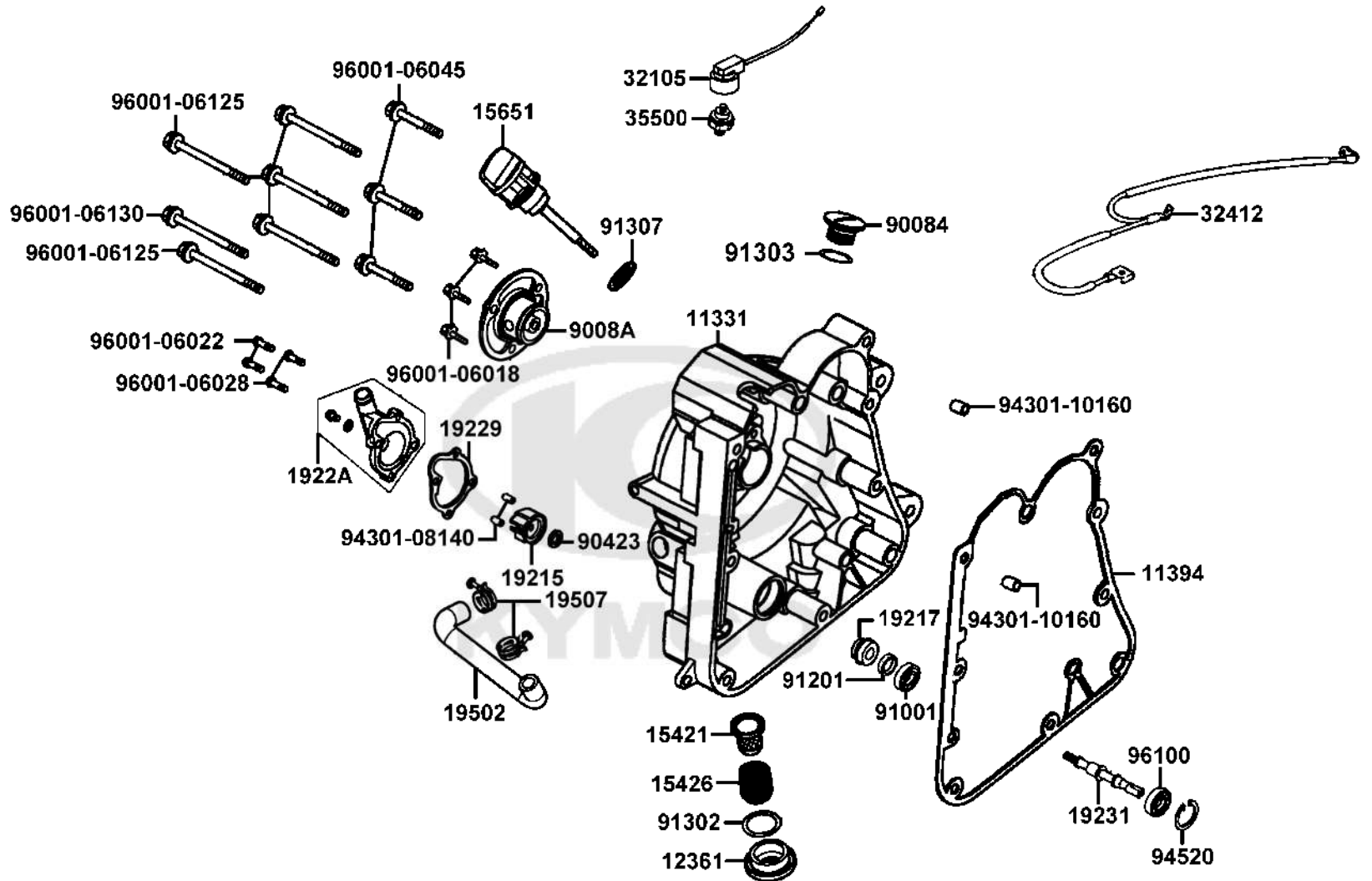
Cylinder Piston Crankshaft



Sales mark	Ref no	Part no	Description	Reg description	Regd no
	12100	12100-ABD2-C00	CYLINDER COMP	CYLINDER COMP	1
	12191	12191-KHE7-910	GASKET CYLINDER	GASKET CYLINDER	1
	13000	13000-AGE2-E00	CRANK SHAFT COMP	CRANK SHAFT COMP	1
	13011	13011-LFG2-C00	"RING SET.PISTON"	"RING SET.PISTON"	1
	13101	13101-LHG7-C00	PISTON	PISTON	1
	13111	13111-LDB2-C00	PIN PISTON	PIN PISTON	1
	14401	14401-LDE9-E00	CHAIN CAM	CHAIN CAM	1
	14510	14510-LDE9-C00	TENSIONER CAM CHAIN	TENSIONER CAM CHAIN	1
	14520	14520-GFY6-90C	LIFTER ASSY.. TENSIONER	LIFTER ASSY.. TENSIONER	1
#	14523	14523-KED9-C00	GASKET TENSIONER LIFTER @A	GASKET TENSIONER LIFTER @A	1
	14531	14531-KHE7-900	PIVOT CAM CHAIN TENSIONER	PIVOT CAM CHAIN TENSIONER	1
	14610	14610-LDE9-C00	GUIDE COMP.CAM CHAIN	GUIDE COMP.CAM CHAIN	1
	15441	15441-1K49-001	OIL THROUGH	OIL THROUGH	1
	15447	15447-1K49-C00	SPG OIL THROUGH	SPG OIL THROUGH	1
	90001	90001-GBHB-C05	BOLT FLANGE SHF 6*22 (B)	BOLT FLANGE SHF 6*22 (B)	2
	90005	90005-KAW1-C00	SCREW PAN 6*6(G)	SCREW PAN 6*6(G)	1
	91306	91306-1E05-C00	O-RING 1.5*9.5	O-RING 1.5*9.5	1
	94301	94301-10160	DOWEL PIN 10*16	DOWEL PIN 10*16	2
	94601	94601-17000	CLIP PISTON PIN 17MM	CLIP PISTON PIN 17MM	2

E04

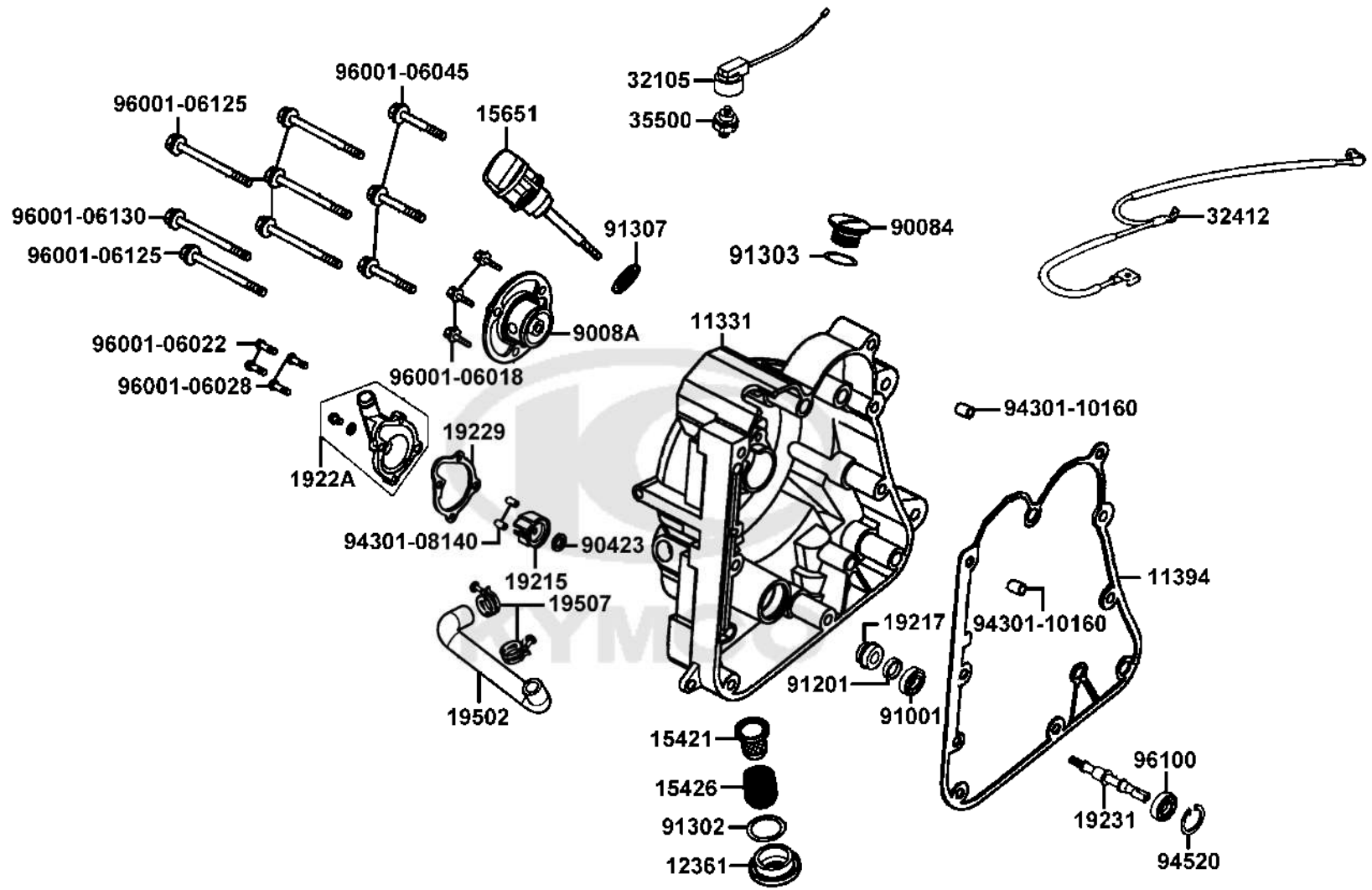
Right Crankcase Cover



Sales mark	Ref no	Part no	Description	Reg description	Regd no
**	11331	11331-LLJ3-C00	COVER R CRANK CASE	COVER R CRANK CASE	1
	11394	11394-KHE7-980	GASKET R COVER @A	GASKET R COVER @A	1
	12361	12361-LHD1-C00	"HOLE CAP. TAPPET ADJUSTING"	"HOLE CAP. TAPPET ADJUSTING"	1
	15421	15421-1G07-C00	SCREEN OIL FILTER	SCREEN OIL FILTER	1
	15426	15426-GAE1-C00	SPG OIL FILTER SCREEN	SPRING OIL FILTER SCREEN	1
	15651	15651-KEBE-C00	GAUGE OIL LEVEL	GAUGE OIL LEVEL	1
	19215	19215-KHE7-C00	IMPELLER WATER PUMP	IMPELLER WATER PUMP	1
	19217	19217-ZPA3-E00	SEAL MECHANICAL	SEAL MECHANICAL	1
	19229	19229-LBA7-900	GASKET WATER PUMP	GASKET WATER PUMP	1
**	1922A	1922A-KHE7-C00	COVER ASSY WATER PUMP	COVER ASSY WATER PUMP	1
	19231	19231-KKJ9-C00	SHAFT WATER PUMP	SHAFT WATER PUMP	1
	19502	19502-KHE7-C00	HOSE B WATER	HOSE B WATER	1
	19507	19507-ABD6-C00	"CLAMP. D28"	"CLAMP. D28"	2
	32105	32105-LLJ3-C00	SUB HARNESS	SUB HARNESS	1
	32412	32412-AGE7-C00	CABLE EARTH	CABLE EARTH	1
	35500	35500-KED9-900	SW ASSY OIL PRESSURE	SW ASSY OIL PRESSURE	1
	90084	90084-KKF9-901	CAP AC GENERATOR	CAP ACG	1
**	9008A	9008A-KHE7-C00	CAP ASSY R COVER	CAP ASSY R COVER	1
	90423	90423-KKJ9-C00	WASHER 7.2*13*1.2	WASHER 7.2*13*1.2	1
	91001	91001-KKJ9-C00	BRG BALL RADIAL 6901	BRG BALL RADIAL 6901	1

E04

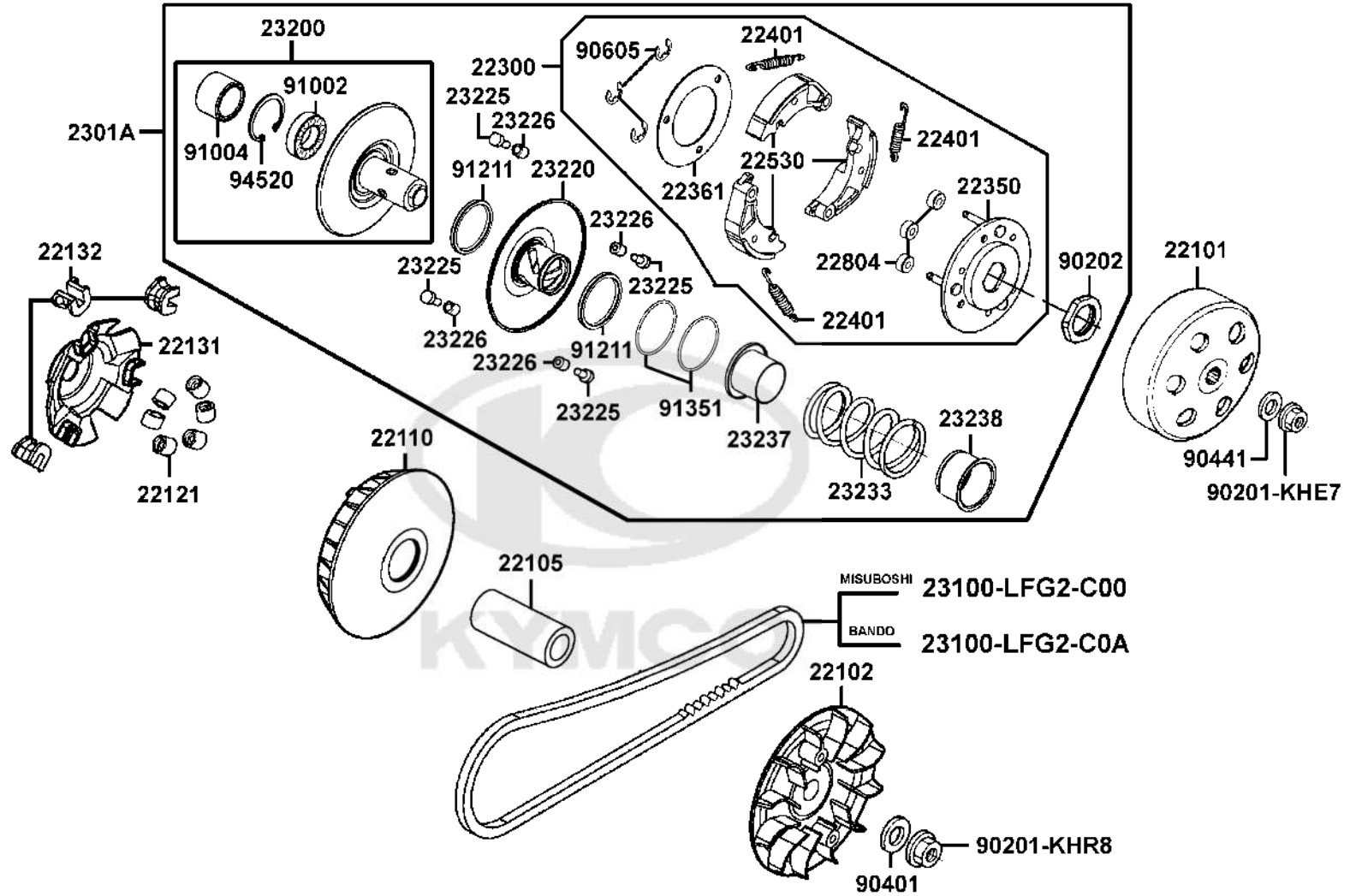
Right Crankcase Cover



Sales mark	Ref no	Part no	Description	Reg description	Regd no	E04
	91201	91201-ABD6-C00	OIL SEAL 12*20*4	OIL SEAL 12*20*4	1	
	91302	91302-0A01-C00	O-RING 30.8MM	O-RING 30.8M	1	
	91303	91303-3G77-C00	O-RING 13.8*2.5	O-RING 13.8*2.5	1	
	91307	91307-0E35-W10	O-RING 18*3	O-RING 18*3	1	
	94301-08140	94301-08140	DOWEL PIN 8*14	DOWEL PIN 8*14	2	
	94301-10160	94301-10160	DOWEL PIN 10*16	DOWEL PIN 10*16	2	
	94520	94520-26000	CIR CLIP INTERAL 26MM	CIR CLIP INTERAL 26MM	1	
	96001-06018	96001-06018-02	BOLT FLANGE SH 6*18	BOLT FLANGE SH 6*18	3	
	96001-06022	96001-06022-07G	BOLT FLANGE SH 6X22(KC)	BOLT FLANGE SH 6*22 (K)	2	
	96001-06028	96001-06028-07G	BOLT FLANGE SH 6*28 (G)	BOLT FLANGE SH 6*28 (G)	2	
	96001-06045	96001-06045-07G	BOLT FLANGE SH 6*45 (G)	BOLT FLANGE SH 6*45 (G)	3	
	96001-06125	96001-06125-07G	BOLT FLANGE SH 6*125 (C)	BOLT FLANGE SH 6*125 (C)	5	
	96001-06130	96001-06130-07G	BOLT FLANGE SH 6*130 (C)	BOLT FLANGE SH 6*130 (C)	1	
	96100	96100-60000-00	BEARING BALL RADIAL 6000	BEARING BALL RADIAL 6000	1	

E05

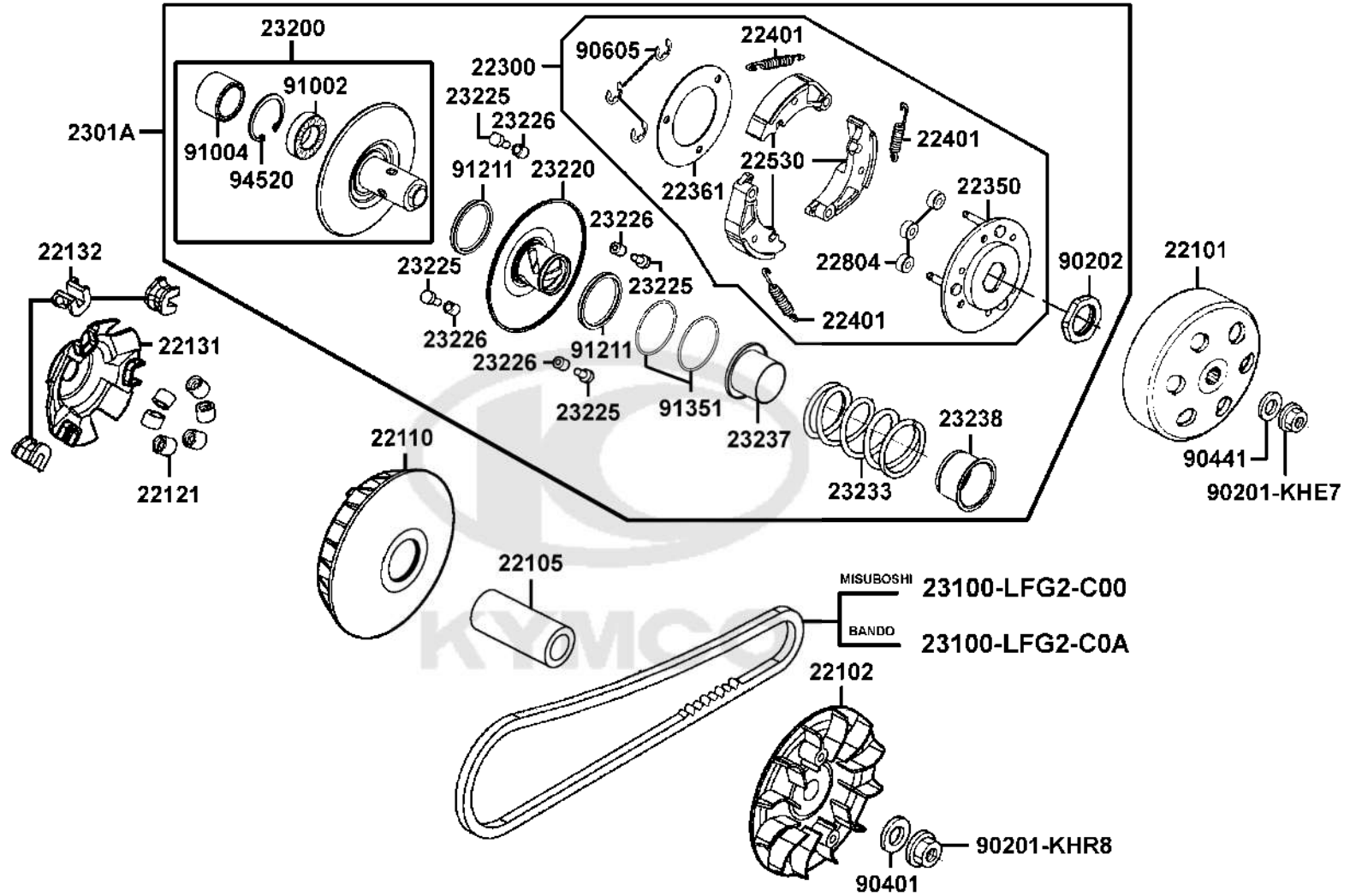
Driven Pulley



Sales mark	Ref no	Part no	Description	Reg description	Regd no
	22101	22101-LBA7-C00	OUTER CLUTCH	OUTER CLUTCH	1
	22102	22102-KHE7-C00	FACE DRIVE	FACE DRIVE	1
	22105	22105-LBA7-C00	BOSS DRIVE FACE	BOSS DRIVE FACE	1
	22110	22110-LFG1-C00	FACE COMP MOVABLE DRIVE	FACE COMP MOVABLE DRIVE	1
	22121	22121-LFG2-315	ROLLER SET WEIGHT (1SET:6PCS)	ROLLER SET WEIGHT (1SET:6PCS)	1
	22131	22131-LBA7-C00	PLATE RAMP	PLATE RAMP	1
	22132	22132-KHE7-305	PIECE SLIDE SET (1SET:3PCS)	PIECE SLIDE SET (1SET:3PCS)	1
	22300	22300-LFG2-C00	PLATE ASSY DRIVE	PLATE ASSY DRIVE	1
	22350	22350-KHE7-C00	PLATE COMP DRIVE	"PLATE COMP.,DRIVE"	3
	22361	22361-LEA7-C00	PLATE CLUTCH SIDE	"PLAT CLUCTH,SIDE"	1
	22401	22401-LFG2-C00	SPRING CLUTCH	"SPRING, CLUTCH"	3
	22530	22530-KHE7-C00	WEIGHT CLUTCH	WEIGHT CLUTCH	3
	22804	22804-GBB2-C00	RUBBER CLUTCH DAMPER	RUBBER CLUTCH DAMPER	3
	2301A	2301A-LFG2-C00	PULLEY SUB ASSY	PULLY SUB. ASSY.	1
	23100-LFG2-C00	23100-LFG2-C00	BELT DRIVE	BELT DRIVE	1
#	23100-LFG2-C0A	23100-LFG2-C0A	BELT DRIVE	BELT DRIVE	1
	23200	23200-KHE7-C00	FACE ASSY DRIVEN	FACE ASSY DRIVEN	1
	23220	23220-LFG2-C00	FACE RR MOVABLE DRIVEN	FACE MOVABLE DRIVEN	1
	23225	23225-KHE7-C00	PIN ROLLER GUIDE	PIN ROLLER GUIDE	1
	23226	23226-GHC8-C00	ROLLER GUIDE	ROLLER GUIDE	1

E05

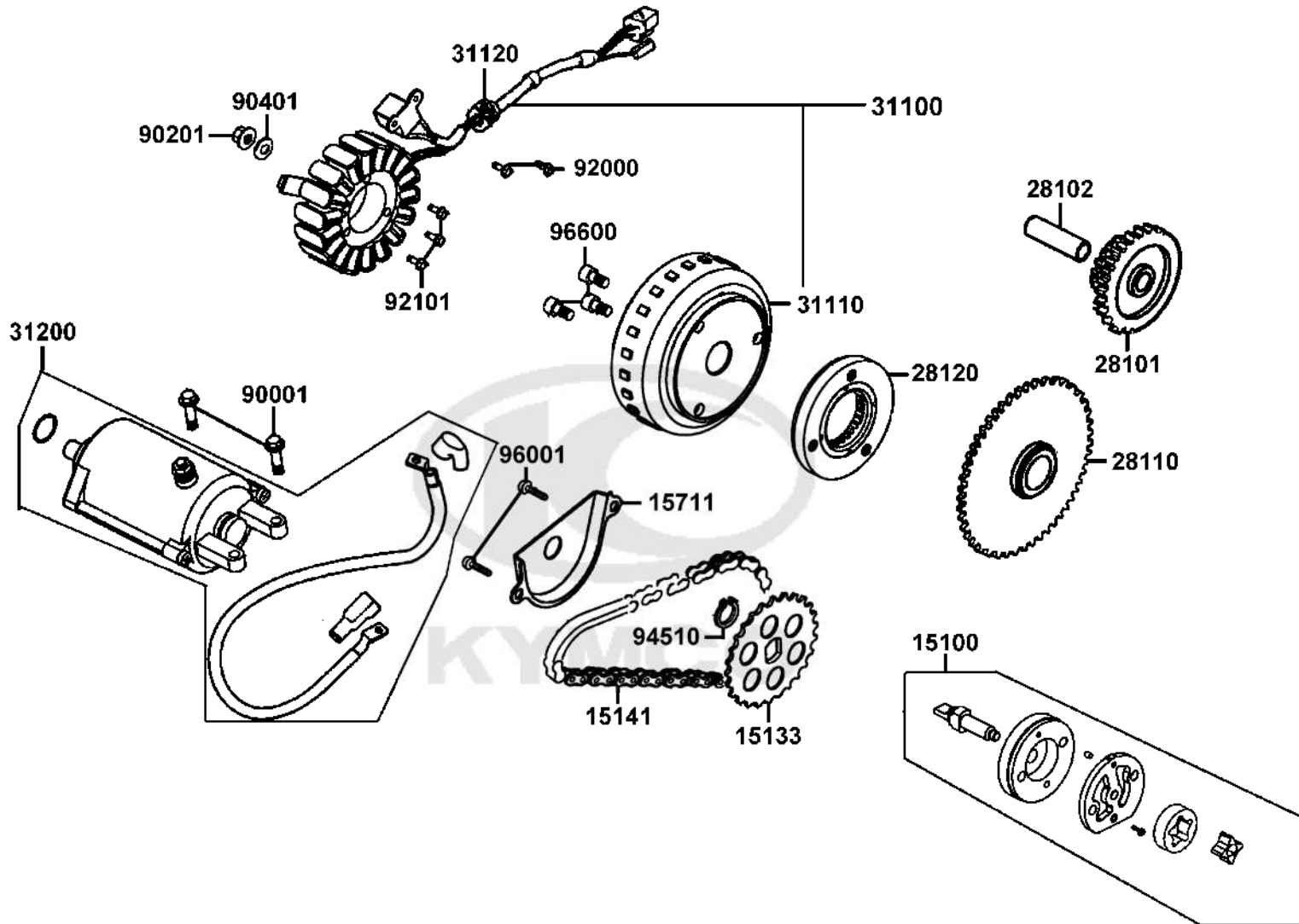
Driven Pulley



Sales mark	Ref no	Part no	Description	Reg description	Regd no	E05
23233		23233-KHE7-C00	SPG DRIVEN FACE	SPG DRIVEN FACE	1	
23237		23237-KHE7-C00	COLLAR SEAL	COLLAR SEAL	1	
23238		23238-KHE7-C00	COLLAR SPG	COLLAR SPG	1	
90201-KHE7		90201-KHE7-C01	NUT C FLANGE M12(C)	NUT C FLANGE M12©	1	
90201-KHR8		90201-KHR8-C01	NUT FLANGE 14MM(C)	NUT FLANGE 14MM©	1	
90202		90202-1G87-C00	NUT SPECIAL 28MM	NUT SPECIAL 28MM	1	
90401		90401-KKJ9-001	WASHER THRUST 14*28*2	WASHER THRUST 14*28*2	1	
90441		90441-GFY6-C01	WASHER 12.2*29*2.5	WASHER 12.2*29*2.5	1	
90605		90605-1F66-C00	CIR CLIP 7MM	CIR CLIP 7MM	3	
91002		91002-GGA7-C00	BRG BALL RADIAL 6902U	BRG BALL RADIAL 6902U	1	
91004		91004-KHE7-C00	BRG NDL 22*29*18	BRG NDL 22*29*18	1	
91211		91211-KHE7-C00	SEAL DRIVEN FACE 40*47*4	SEAL DRIVEN FACE 40*47*4	1	
91351		91351-KHE7-C00	O-RING PINION CAP	O-RING PINION CAP	1	
94520		94520-28000	CIR CLIP IN 28	CIR CLIP IN 28	1	

E06

Starting Motor Oil Pump

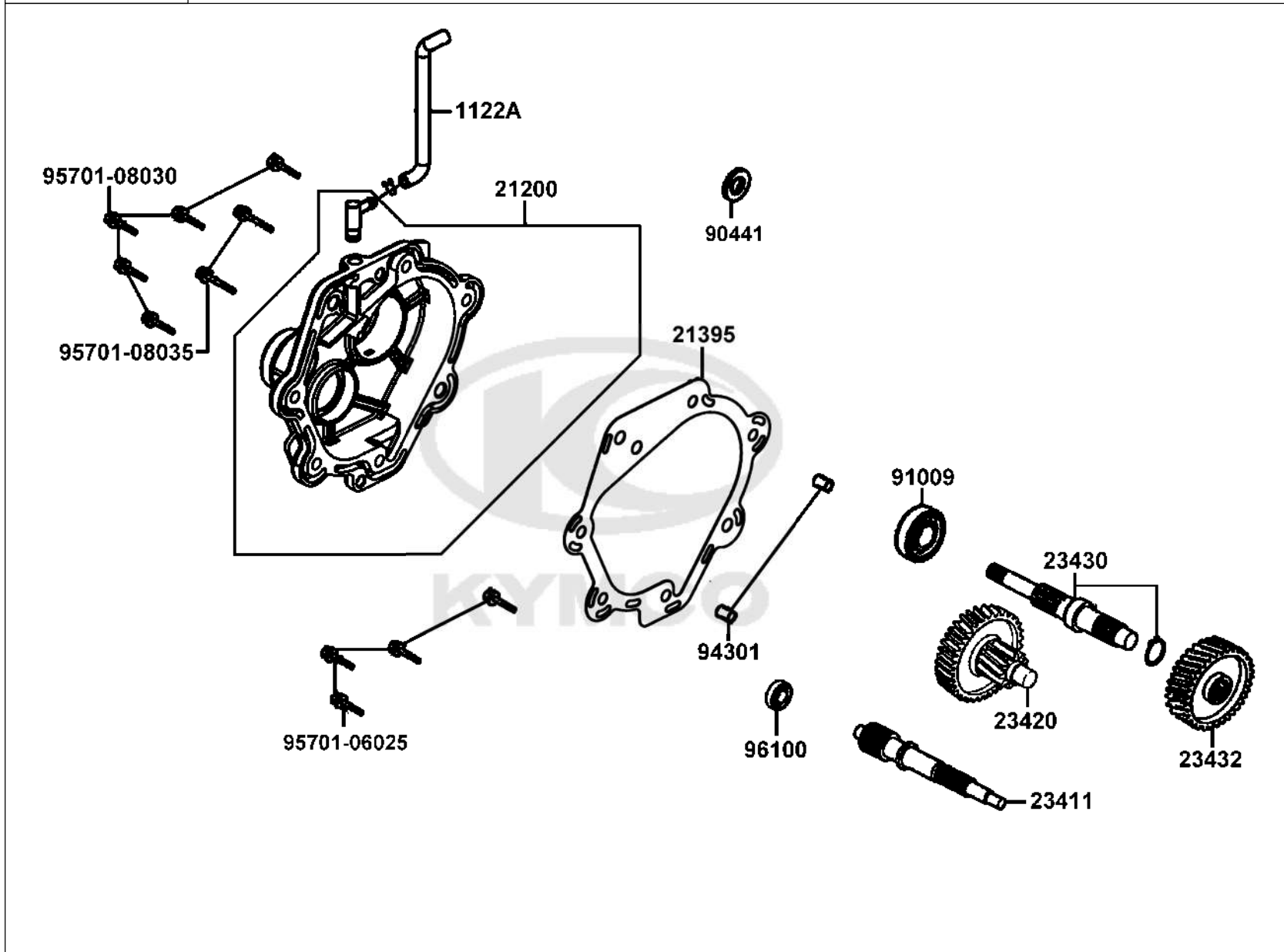


Sales mark	Ref no	Part no	Description	Reg description	Regd no
	15100	15100-KKC3-C00	PUMP ASSY OIL	PUMP ASSY OIL	1
	15133	15133-KAM1-C00	SPROCKET OIL PUMP DRIVE	SPROCKET OIL PUMP DRIVE	1
	15141	15141-KKJ9-C00	CHAIN OIL PUMP	CHAIN OIL PUMP	1
	15711	15711-KHE7-C00	SEPARATER OIL	SEPARATER OIL	1
	28101	28101-KHE7-C00	GEAR STARTER REDUCTION	GEAR STARTER REDUCTION	1
	28102	28102-KHE7-C00	SHAFT STARTER REDUCTION	SHAFT STARTER REDUCTION	1
	28110	28110-LDB2-C00	GEAR COMP STARTING CLUTCH	GEAR COMP STARTING CLUTCH	1
	28120	28120-LDB2-C00	ONE WAY CLUTCH	ONE WAY CLUTCH	1
	31100	31100-ABD2-EZ5	AC GEN ASSY	AC GEN ASSY	1
	31110	31110-ABD2-EZ5	ROTOR. FLYWHEEL	ROTOR. FLYWHEEL	1
	31120	31120-ABD2-C00	STATOR COMP.	STATOR COMP.	1
	31200	31200-AGE7-C00	MOTOR ASSY START	MOTOR ASSY START	1
	90001	90001-GBHB-C05	BOLT FLANGE SHF 6*22 (B)	BOLT FLANGE SHF 6*22 (B)	2
	90201	90201-KHR8-C01	NUT FLANGE 14MM(C)	NUT FLANGE 14MM©	1
	90401	90401-KKJ9-001	WASHER THRUST 14*28*2	WASHER THRUST 14*28*2	1
	92000	92000-05016-07G	BOLT HEX 5*16 (G)	BOLT HEX 5*16 (G)	2
	92101	92101-05032-0HG	BOLT HEX 5*32 (C)	BOLT HEX 5*32 ©	3
	94510	94510-10000	CIR CLIP EX 10MM	CIR CLIP EX 10MM	1
	96001	96001-06012-08G	BOLT FLANGE SH 6X12 (C)	BOLT FLANGE SH 6X12 (C)	2
	96600	96600-08018-08G	SOCKET BOLT 8*18 (B)	SOCKET BOLT 8*18 (B)	3

E06

E07

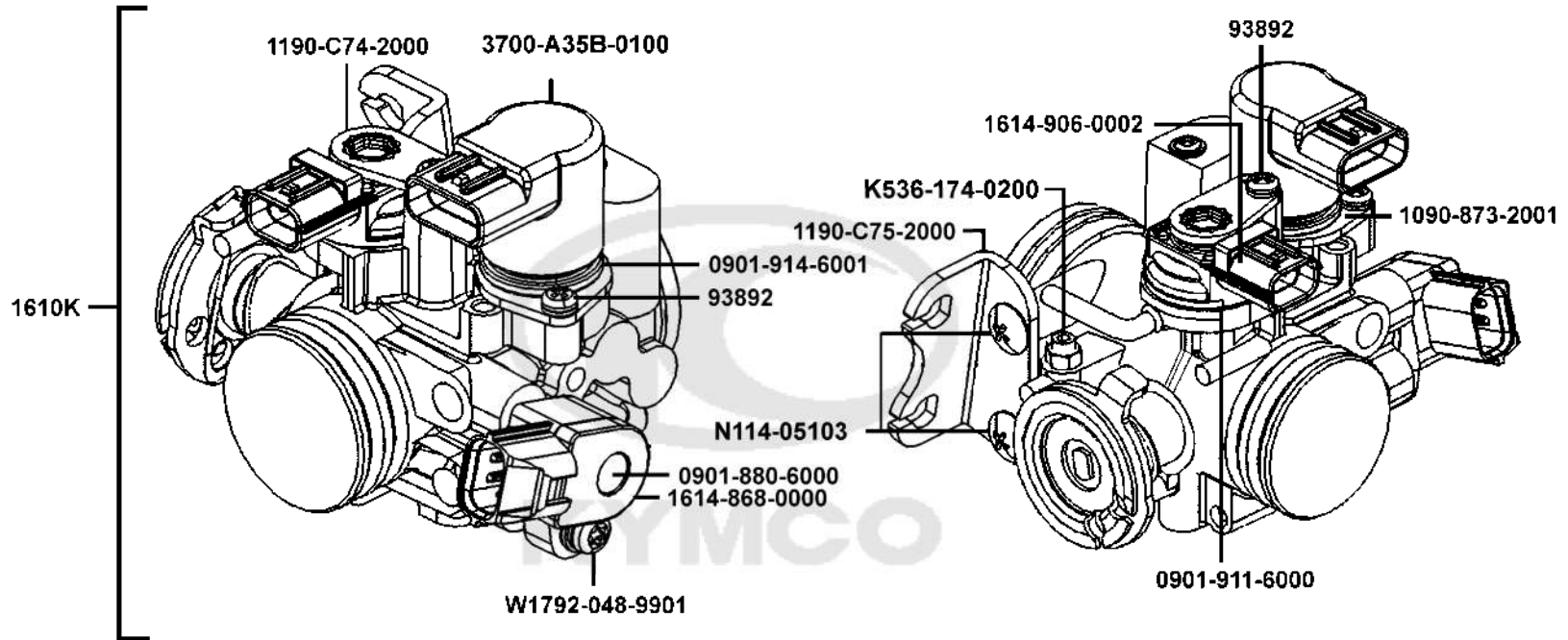
Transmission



Sales mark	Ref no	Part no	Description	Reg description	Regd no	E07
	1122A	1122A-ABD2-C00	"TUBE ASSY. MISSION BREATHER"	"TUBE ASSY. MISSION BREATHER"	1	
	21200	21200-LDB2-C00	CASE COMP MISSION	CASE COMP MISSION	1	
	21395	21395-LDF2-900	GASKET MISSION CASE @A	GASKET MISSION CASE @A	1	
	23411	23411-ABD2-C00	SHAFT DRIVE	SHAFT DRIVE	1	
	23420	23420-ABD2-C00	SHAFT COMP COUNTER	SHAFT COMP COUNTER	1	
	23430	23430-LDB2-C00	SHAFT COMP FINAL	SHAFT COMP FINAL	1	
	23432	23432-ABD2-C00	GEAR FINAL	GEAR FINAL	1	
	90441	90441-KKC4-C00	WASHER PLAIN 15.5*23*0.5	WASHER PLAIN 15.5*23*0.5	1	
	91009	91009-KHE7-C00	BRG BALL RADIAL 6205LLU	BRG BALL RADIAL 6205LLU	1	
	94301	94301-10160	DOWEL PIN 10*16	DOWEL PIN 10*16	2	
	95701-06025	95701-06025-07G	BOLT FLANGE 6*25 (C)	BOLT FLANGE 6*25 (C)	4	
	95701-08030	95701-08030-07G	BOLT FLANGE 8*30 (G)	BOLT FLANGE 8*30 (G)	5	
	95701-08035	95701-08035-07G	BOLT FLANGE 8*35	BOLT FLANGE 8*35	2	
	96100	96100-63020-00	BRG BALL RADIAL 6302	BRG BALL RADIAL 6302	2	

E08

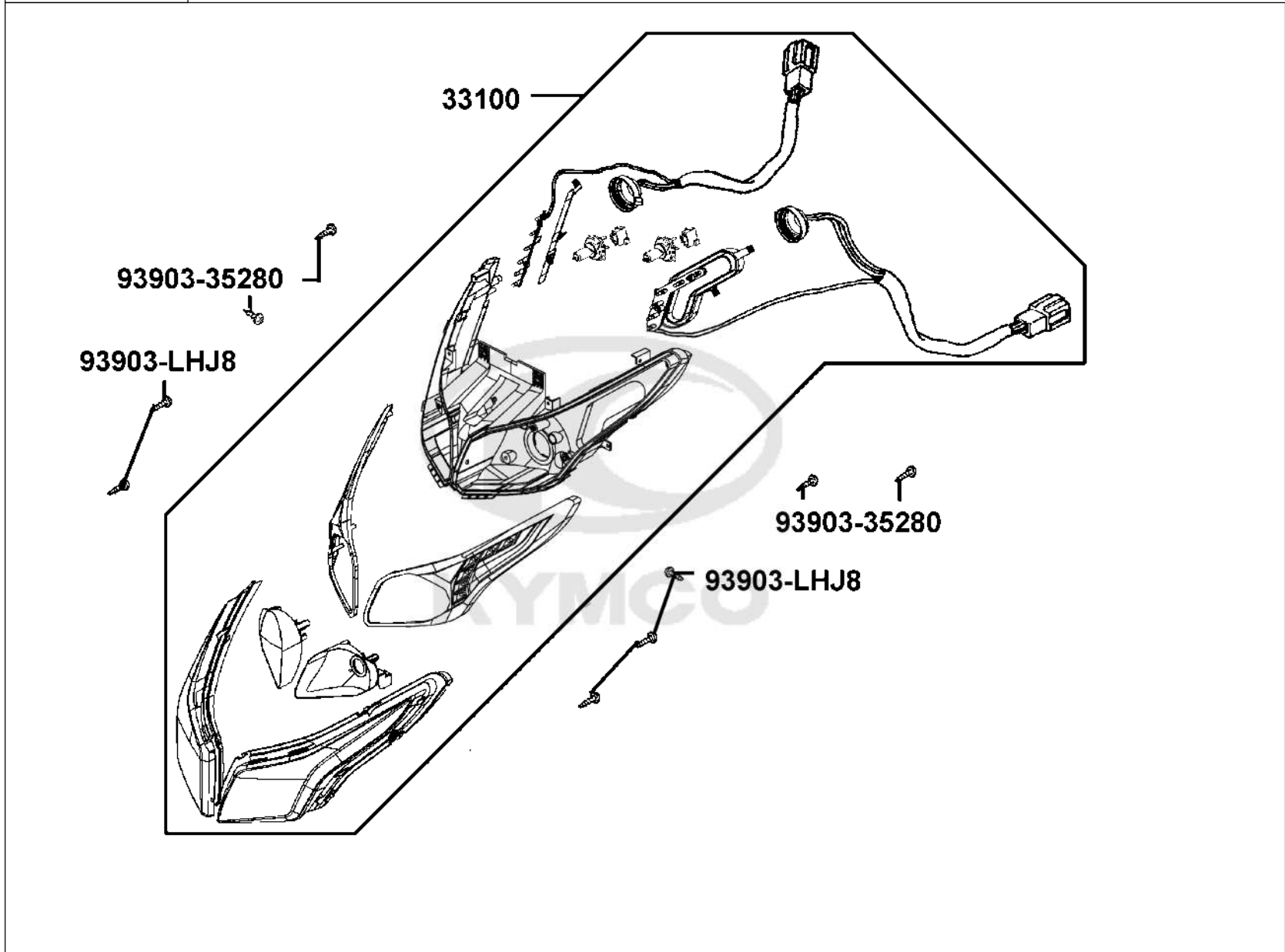
Carburetor



Sales mark	Ref no	Part no	Description	Reg description	Regd no	E08
	0901-880-6000	0901-880-6000	O-RING/TPS	O-RING 13x12x1	1	
	0901-911-6000	0901-911-6000	O-RING	O-RING 23x20x1,8	1	
	0901-914-6001	0901-914-6001	O-RING	O-RING 14x13x1,0	1	
	1090-873-2001	1090-873-2001	SET PLATE	SET PLATE	1	
	1190-C74-2000	1190-C74-2000	STAY PLATE	STAY PLATE	1	
	1190-C75-2000	1190-C75-2000	BRACKET / THROTTLE CABLE	BRACKET/THROTTLE CABLE	1	
	1610K	1610K-LHG7-900	THROTTLE BODY ASS'Y	THROTTLE BODY ASS'Y	1	
	1614-868-0000	1614-868-0000-S	THROTTLE POSITION SENSER	THROTTLE POSITION SENSER	1	
	1614-906-0002	1614-906-0002	MAP SENSOR	MAP SENSOR	1	
#	3700-A35B-0100	3700-A35B-0110	ISC VALVE	ISC VALVE	1	
	93892	93892-04008-16	SCREW WASHER 4X8	SCREW WASHER 4X8	1	
	K536-174-0200	K536-174-0200	SCREW SET	SCREW STOP	1	
	N114-05103	N114-05103-3	SCREW WASHER	SCREW WASCHER	2	
	W1792-048-9901	W1792-048-9901	SCREW TORX M5*0.8/TPS	SCREW TORX M5*0.8/TPS	1	

F01

Head Light



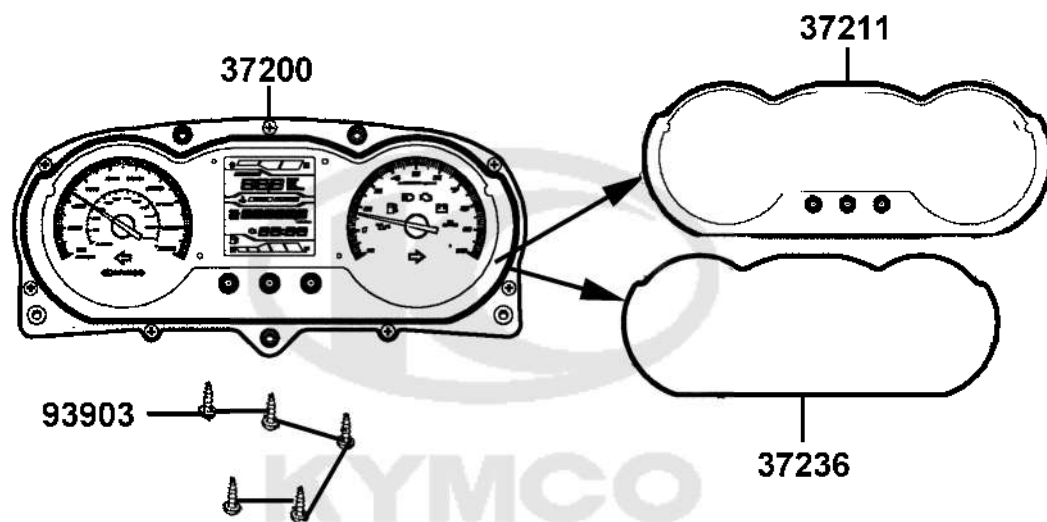
Sales mark	Ref no	Part no	Description	Reg description	Regd no
	33100	33100-AGD8-C00	LIGHT ASSY HAED	LIGHT ASSY HAED	1
	93903-35280	93903-35280-G	SCREW TAPPING 5*12 (K)	SCREW TAPPING 5*12 (K)	8
	93903-LHJ8	93903-LHJ8-C01	SCREW,TAPPING 5X14	SCREW,TAPPING 5X14	4

F01



F02

Speedometer



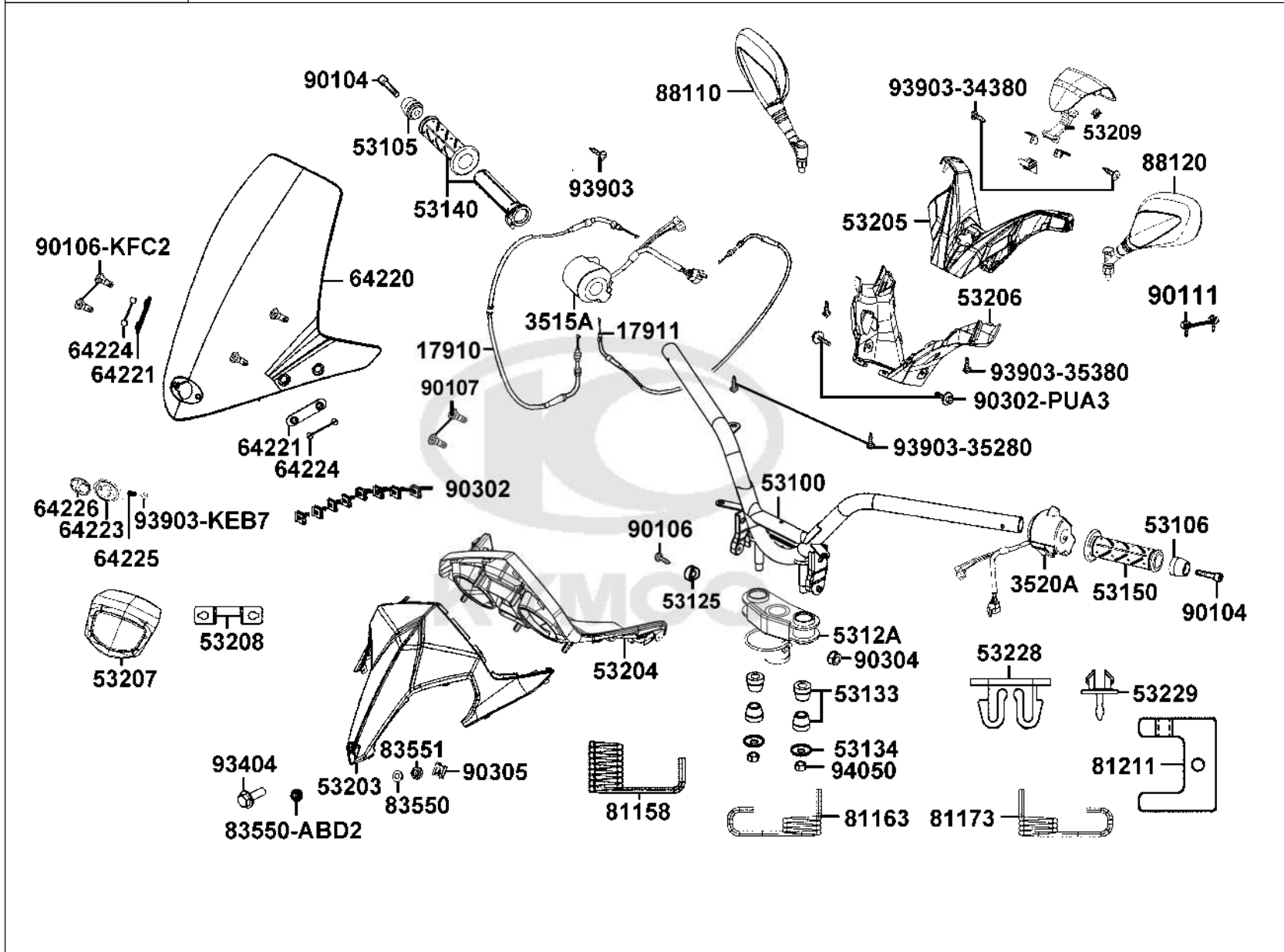
Sales mark	Ref no	Part no	Description	Reg description	Regd no
	37200	37200-AGE7-EZ5	METER ASSY SPEED	METER ASSY SPEED	1
	37211	37211-ABD2-C00	LENS ASSY	LEN ASSY	1
#	37236	37236-ABD2-E00	METER GASKET	METER GASKET	1
	93903	93903-25480	SCREW TAPPING 5*20 (K)	SCREW TAPPING 5*20 (K)	5

F02



F03

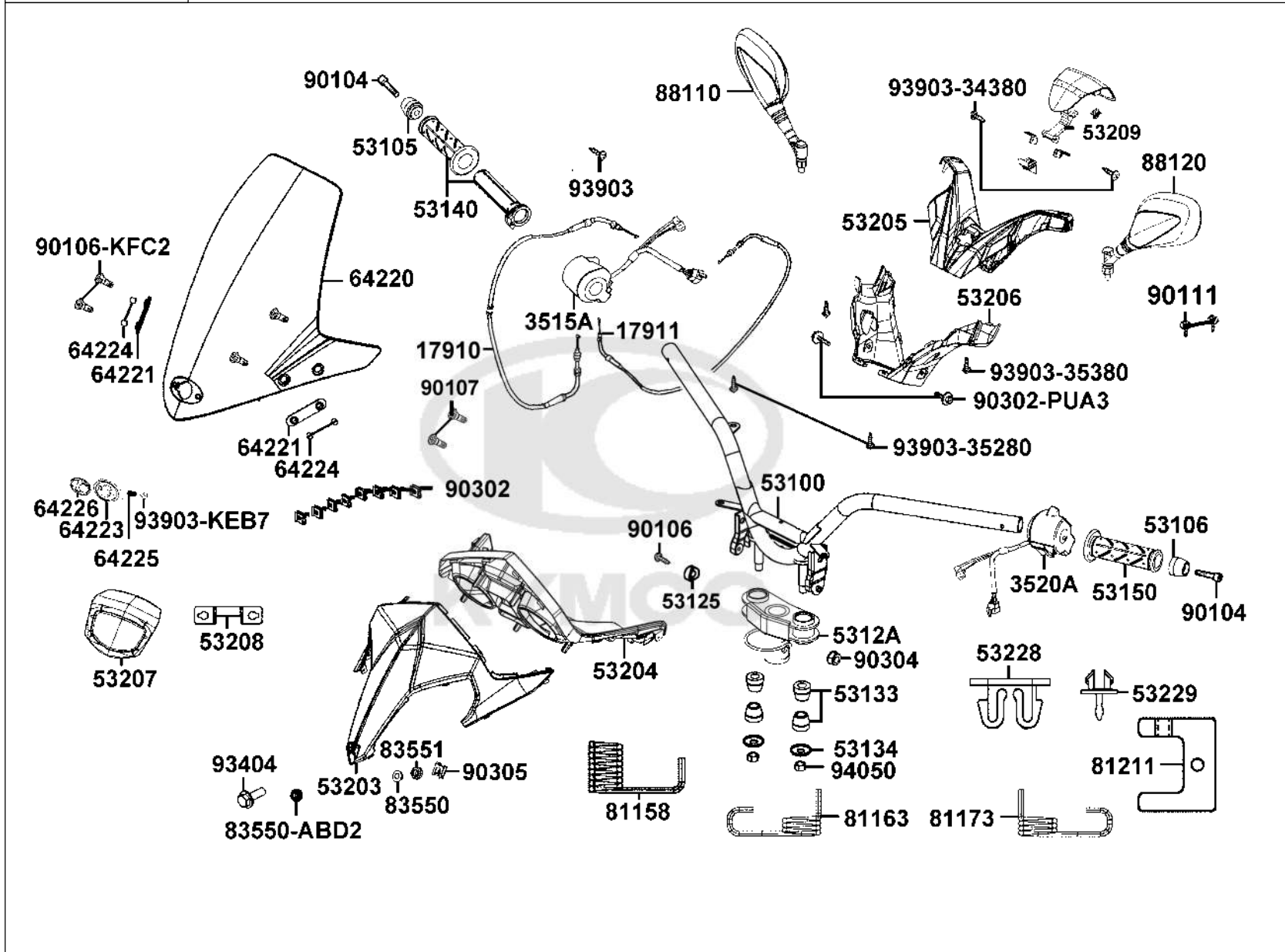
Handle Steering Handle Cover



Sales mark	Ref no	Part no	Description	Reg description	Regd no
	17910	17910-AGD8-C00	CABLE COMP THROT	CABLE COMP THROT	1
	17911	17911-AGD8-C00	"CABLE B COMP., THROT"	"CABLE B COMP., THROT"	1
	3515A	3515A-ACJ1-E00	SW ASSY RH HNDL COMP	SW ASSY RH HNDL COMP	1
	3520A	3520A-ABD2-C00	SW ASSY LH HANDLE COMP	SW ASSY LH HANDLE COMP	1
	53100	53100-AGD8-C00	HANDLE COMP STRG	HANDLE COMP STRG	1
	53105	53105-LEA7-C00	END R.HANDLE	END R.HANDLE	2
	53106	53106-LEA7-C00	"END L.HANDLE"	"END L.HANDLE"	1
	53125	53125-LEA7-C00	BOLT FLANGE	BOLT FLANGE	1
	5312A	5312A-AGD8-C00	HOLDER COMP HANDLE	HOLDER COMP HANDLE	1
	53133	53133-3H98-C00	RUBBER HANDLE CUSHION	RUBBER FUEL METER	4
	53134	53134-2C83-C01	HANDLE CUSHION WASHER	WASHER	2
**	53140	53140-LHJ3-900	GRIP COMP THROT	GRIP COMP THROT	1
**	53150	53150-LEA6-900	GRIP COMP L HANDLE	GRIP COMP L HANDLE	1
**	53203	53203-AGE7-C00	COVER METER FR	COVER METER FR	1
**	53204	53204-AGE7-C00	COVER METER	COVER METER	1
**	53205	53205-AGE7-C00	COVER HANDLE FR	COVER HANDLE FR	1
**	53206	53206-ABD2-C00	COVER HANDLE RR	COVER HANDLE RR	1
**	53207	53207-AGE7-C00	COVER HANDLE FR LOW	COVER HANDLE FR LOW	1
	53208	53208-AGE7-C01	STAY USB	STAY USB	1
	53209	53209-AGE7-C01	HINGE HANDLE TOP	HINGE HANDLE TOP	1

F03

Handle Steering Handle Cover

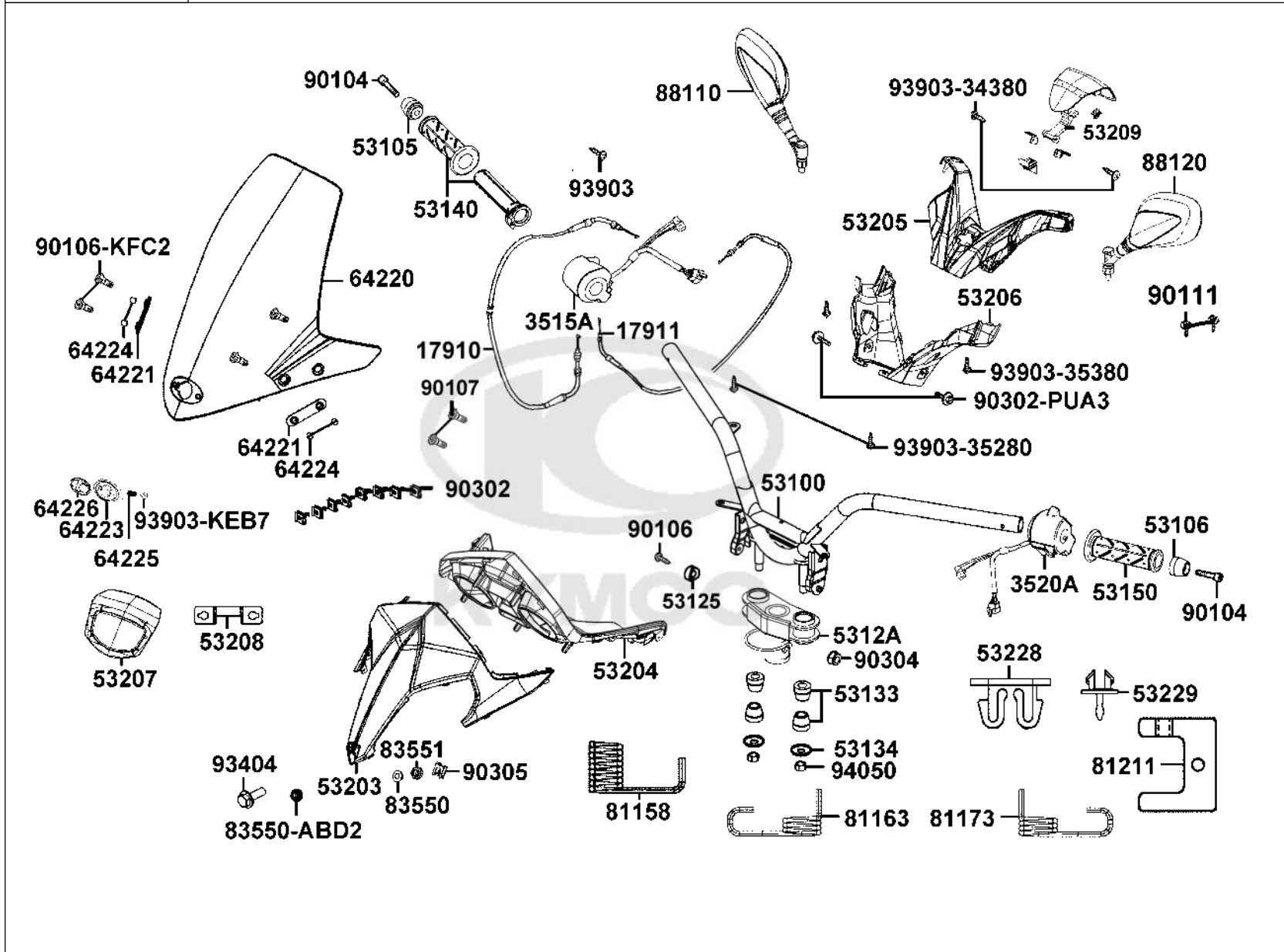


Sales mark	Ref no	Part no	Description	Reg description	Regd no
	53228	53228-AGE7-C00	PLASTIC CLIPS	PLASTIC CLIPS	1
	53229	53229-AGE7-C00	CARD SLOT	CARD SLOT	1
	64220	64220-AGE8-E00	WIND SCREEN	WIND SCREEN	1
	64221	64221-AGE7-C00	RUBBER R/L WIND SCREEN	RUBBER R/L WIND SCREEN	2
**	64223	64223-LEA7-C00	"PLUG. WIND SCREEN"	"PLUG. WIND SCREEN"	1
	64224	64224-AGE7-C00	COLLAR WIND SCREEN	COLLAR WIND SCREEN	4
	64225	64225-LEA7-E00	SPRING COSMETIC K-LOGO	SPRING COSMETIC K-LOGO	1
	64226	64226-LEA7-E00	COSMETIC K-LOGO	COSMETIC,K-LOGO	1
	81158	81158-AGE7-C00	SPRING COVER	SPRING COVER	1
	81163	81163-AGE7-C00	SPRING COVER LEG SHIELD	SPRING COVER LEG SHIELD	1
	81173	81173-AGE7-C00	SPRING COVER LEG SHIELD	SPRING COVER LEG SHIELD	1
	81211	81211-AGE7-C00	STAY R/L LID INNER BOX	STAY R/L LID INNER BOX	1
	83550-ABD2	83550-ABD2-C00	COLLAR	COLLAR	1
	83550	83550-KEC8-C00	COLLAR SET METER	COLLAR	1
	83551	83551-KEC8-C10	GROMMET COVER	GROMMET COVER	2
	88110	88110-ABD2-C01	MIRROR ASSY R BACK	MIRROR ASSY R BACK	1
	88120	88120-ABD2-C01	MIRROR ASSY L BACK	MIRROR ASSY L BACK	1
	90104	90104-LEA7-C01	"BOLT WASH.,M8*60"	BOLT WASH.M8*60	2
	90106-KFC2	90106-KFC2-900	BOLT SPECIAL 8MM	BOLT-WASH 8MM	4
	90106	90106-PUA3-B50	BOLT FLANGE 10*50	BOLT FLANGE 10*50	1

F03

F03

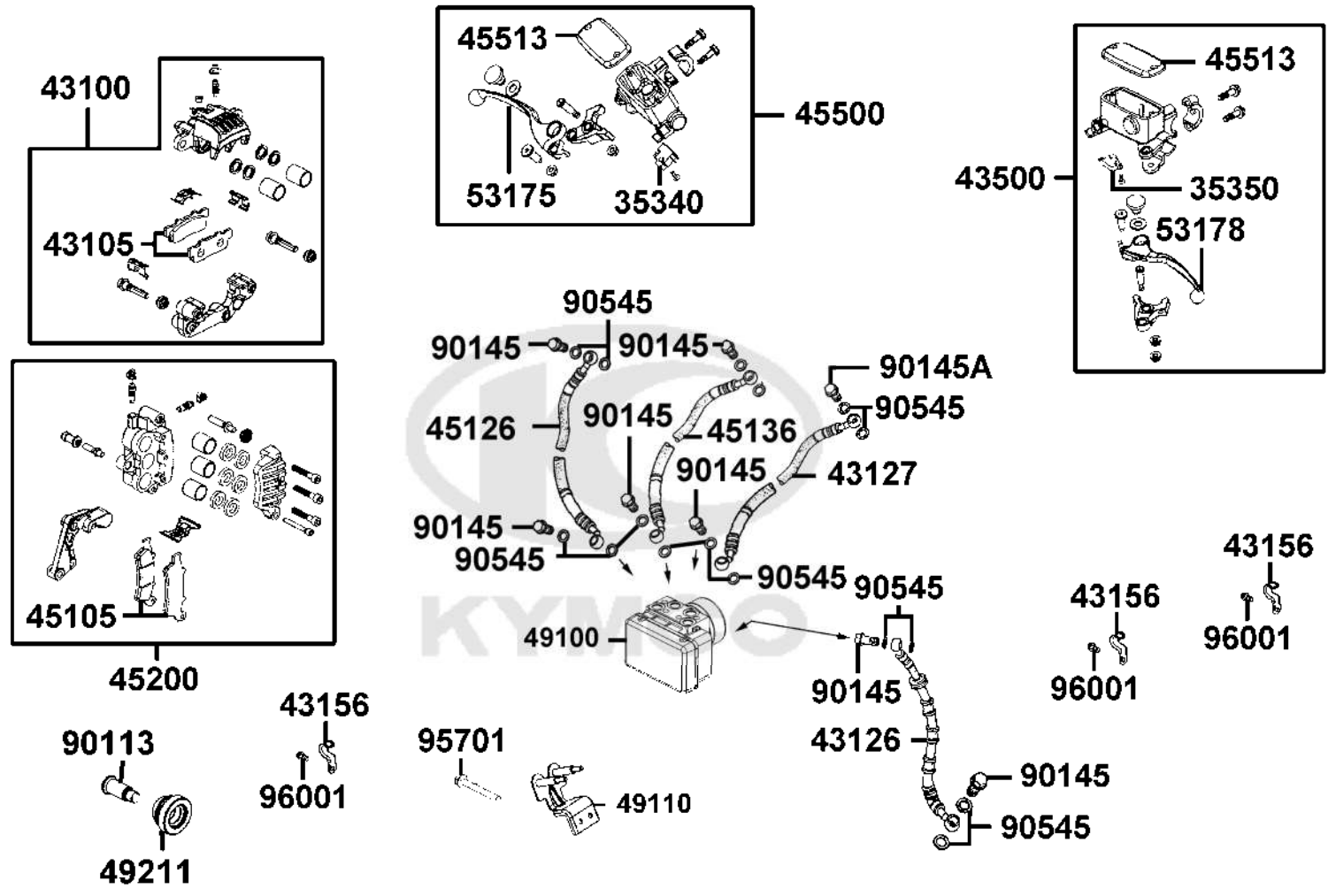
Handle Steering Handle Cover



Sales mark	Ref no	Part no	Description	Reg description	Regd no	F03
90107		90107-LEA7-C01	BOLT SPECIAL 8*26	BOLT SPECIAL 8*26	4	
90111		90111-06016-07G	BOLT FLANGE 6*16 (K)	BOLT FLANGE 6*16 (K)	2	
90302		90302-LKB9-C00	NUT SPRING 5MM	NUT SPRING 5MM	8	
90302-PUA3		90302-PUA3-B51	BOLT-WASH 5*12	BOLT-WASH 5*12	2	
90304		90304-PUA3-B50	NUT U 10MM (C)	NUT U 10MM (C)	1	
90305		90305-LBA2-C00	"NUT.CLIP 6MM"	"NUT.CLIP 6MM"	1	
93404		93404-06025-07G	BOLT WASHER 6*25 (G)	BOLT WASHER 6*25 (G)	1	
93903-34380		93903-34380-G	SCREW TAPPING 4x12	SCREW TAPPING 4x12	2	
93903-35280		93903-35280-G	SCREW TAPPING 5*12 (K)	SCREW TAPPING 5*12 (K)	2	
93903-35380		93903-35380-G	SCREW TAPPING 5*16 (K)	SCREW TAPPING 5*16 (K)	2	
93903-KEB7		93903-KEB7-C01	SCREW WASHER 4MM	SCREW WASHER 4MM	1	
93903		93903-LHJ8-C01	SCREW,TAPPING 5X14	SCREW,TAPPING 5X14	4	
94050		94050-ALD7-C11	NUT FLANGE 10MM	NUT FLANGE 10MM	2	

F04

Brake Master Cylinder

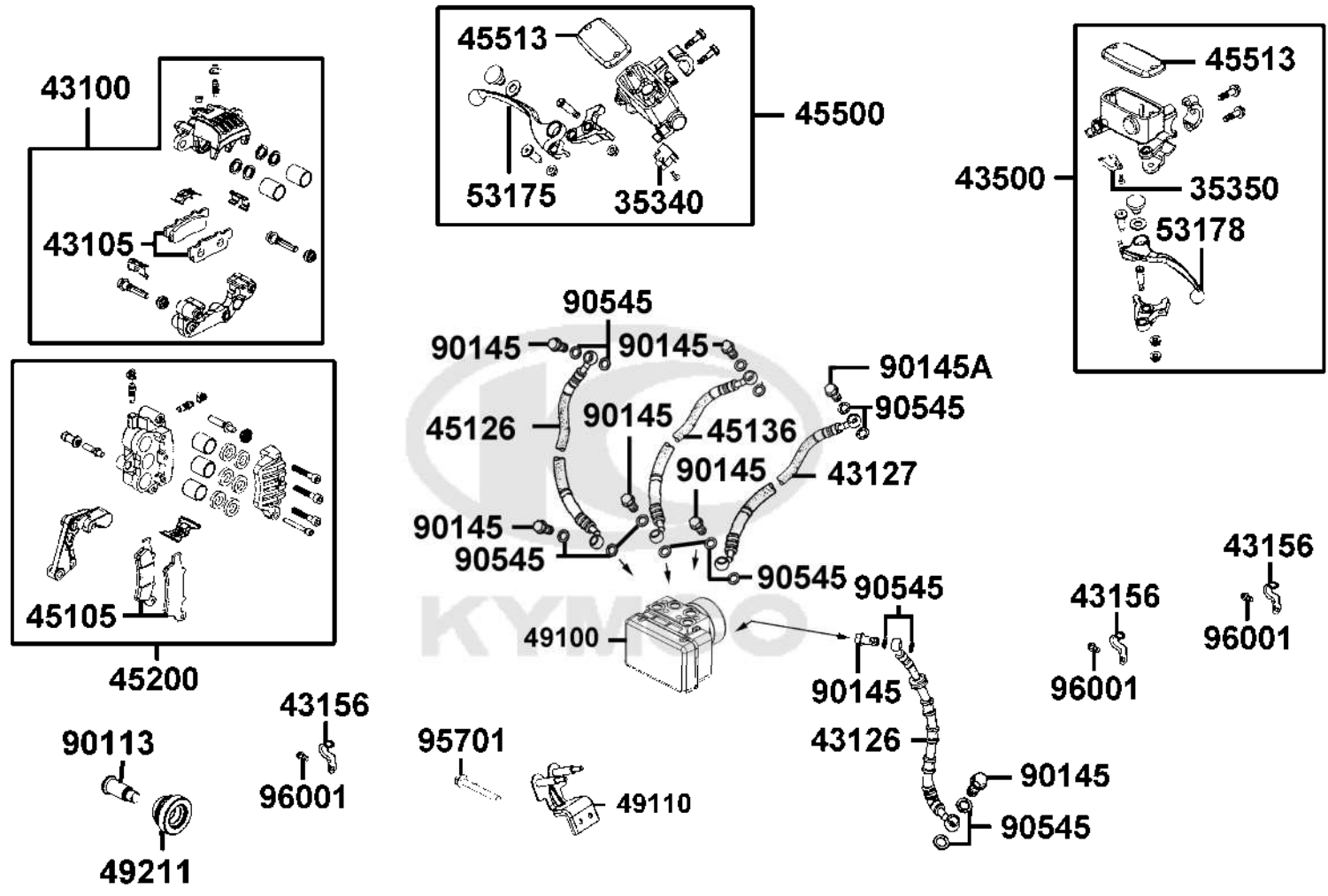


Sales mark	Ref no	Part no	Description	Reg description	Regd no
	35340	35340-AEF6-C00	SW ASSY ,FR STOP	SW ASSY FR STOP	1
	35350	35350-AEF6-C00	SW ASSY ,RR STOP	SWITCH ASSY RR STOP	1
**	43100	43100-LGE5-C01	CALIPER ASSYRR	CALIPER ASSYRR	1
	43105	43105-LGE5-406	PAD SET	PAD SET	1
	43126	43126-AGE7-C00	HOSE ASSY RR BRK	HOSE ASSY RR BRK	1
	43127	43127-AGE7-C00	HOSE ASSY M/C RR BRK	HOSE ASSY M/C RR BRK	1
	43156	43156-LDB2-C00	CLAMPER HOSE RR	CLAMPER HOSE RR	3
		43210-LGE5-C00	BRACKET FR CALIPER	BRACKET FR CALIPER	1
		43352-KKD6-C00	BLEEDER ASSY	SCREW BLEEDER	1
		43353-4A61-C00	CAP BLEEDER	CAP BLEEDER	1
		43353-KED9-C00	CAP BLEEDER	CAP BLEEDER	1
		4335A-LBA2-C01	SCREW BLEEDER	SCREW BLEEDER	1
	43500	43500-LKG5-C00	M/C ASSY RR	M/C ASSY RR	1
	45105	45105-LGE5-305	PAD SET	PAD SET	1
		45107-LGE5-C00	PISTON C/P	PISTON C/P	1
		45108-LDH1-C00	PAD SPRING	PAD SPRING	1
		45108-LGE5-C00	SPRING PAD	SPRING PAD	1
		45109-GBE2-C00	DUST SEAL	DUST SEAL	1
		45109-LGE5-C00	SLIDE PAD	SLIDE PAD	1
	45126	45126-AGE7-C00	HOSE ASSY FR BRK	HOSE ASSY FR BRK	1

F04

F04

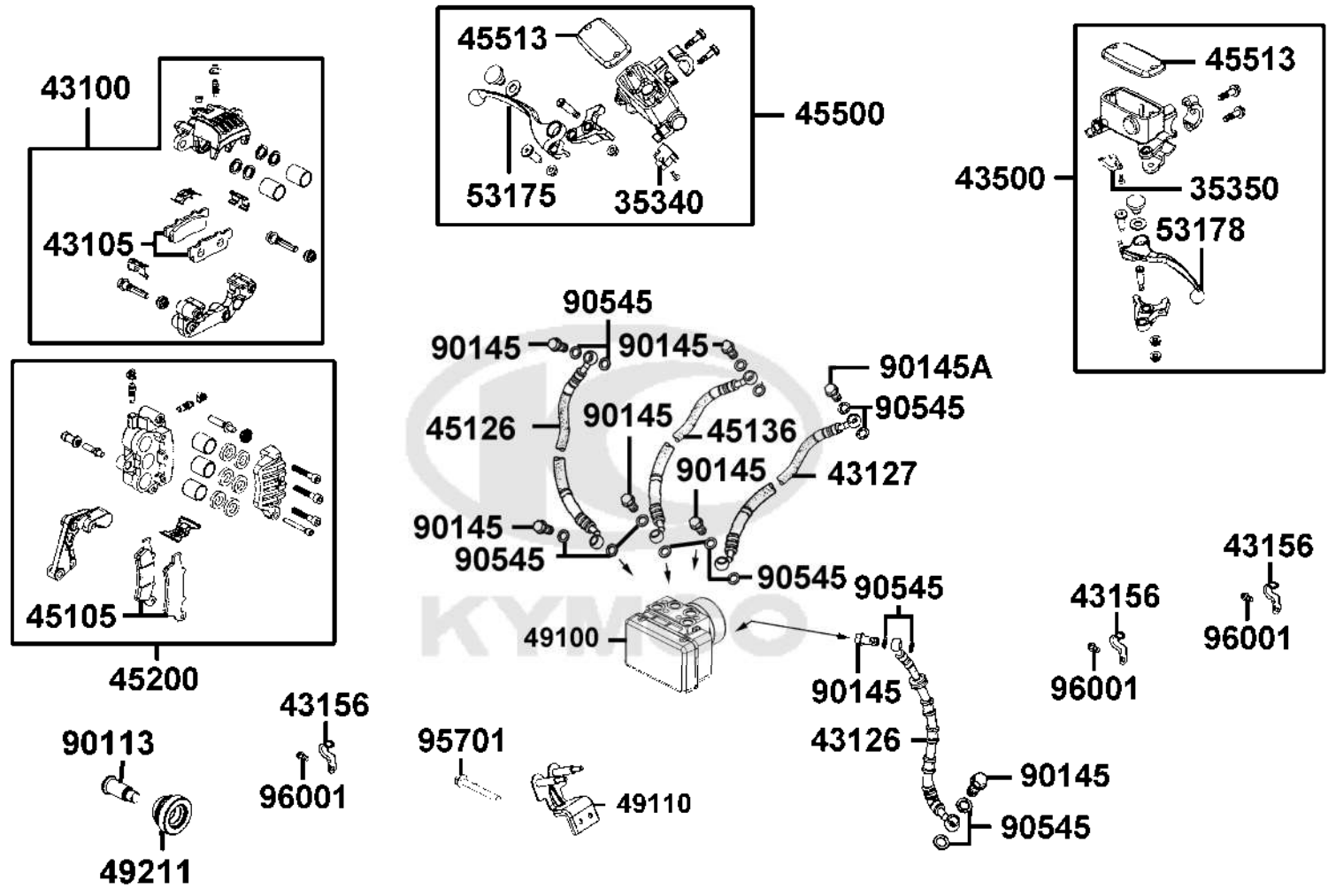
Brake Master Cylinder



Sales mark	Ref no	Part no	Description	Reg description	Regd no
	45136	45127-AGE7-C00	HOSE ASSY FR BRK	HOSE ASSY FR BRK	1
		45130-LGE5-C00	PUSH BOOT PIN	PUSH BOOT PIN	1
		45131-LGE5-C00	PIN BOLT	PIN BOLT	1
		45134-KED9-C00	BOOT B	BOOT B	1
**	45200	45200-LKG7-C01	CALIPER ASSY FR BRK	CALIPER ASSY FR BRK	1
		45203-KED9-C00	PLUG PIN	PLUG PIN	1
		45207-LGE5-C00	PIN HANGER	PIN HANGER	1
		45209-GBE2-C00	SEAL PISTON	SEAL PISTON	1
		45209-KED9-C00	SEAL PISTON	SEAL PISTON	1
		45210-LKG7-C00	BRACKET ASSY FR	BRACKET ASSY FR	1
	45500	45500-LKG7-C00	M/C ASSY FR BRK	M/C ASSY FR BRK	1
		45513-LEA7-C00	CAP M/C	CAP M/C	1
45513		45513-LEA7-E00	CAP MASTER CYLINDER	CAP M/C	1
		45517-LBA2-C00	HOLDER M/C	HOLDER M/C	1
		45531-KED9-C00	PLUG	PLUG	1
	49100	49100-AGE7-C00	MODULATOR ASSY ABS	MODULATOR ASSY ABS	1
	49110	49110-AGE7-C00	STAY ABS	STAY ABS	1
	49211	49211-LFH1-E00	RUBBER BUSH	RUBBER BUSH	2
		51430-LGE5-C00	SLIDE PAD	SLIDE PAD	1
#**	53175	53175-LKF5-C00	LEVER R STRG HANDLE	LEVER R STRG HANDLE	1

F04

Brake Master Cylinder



F04

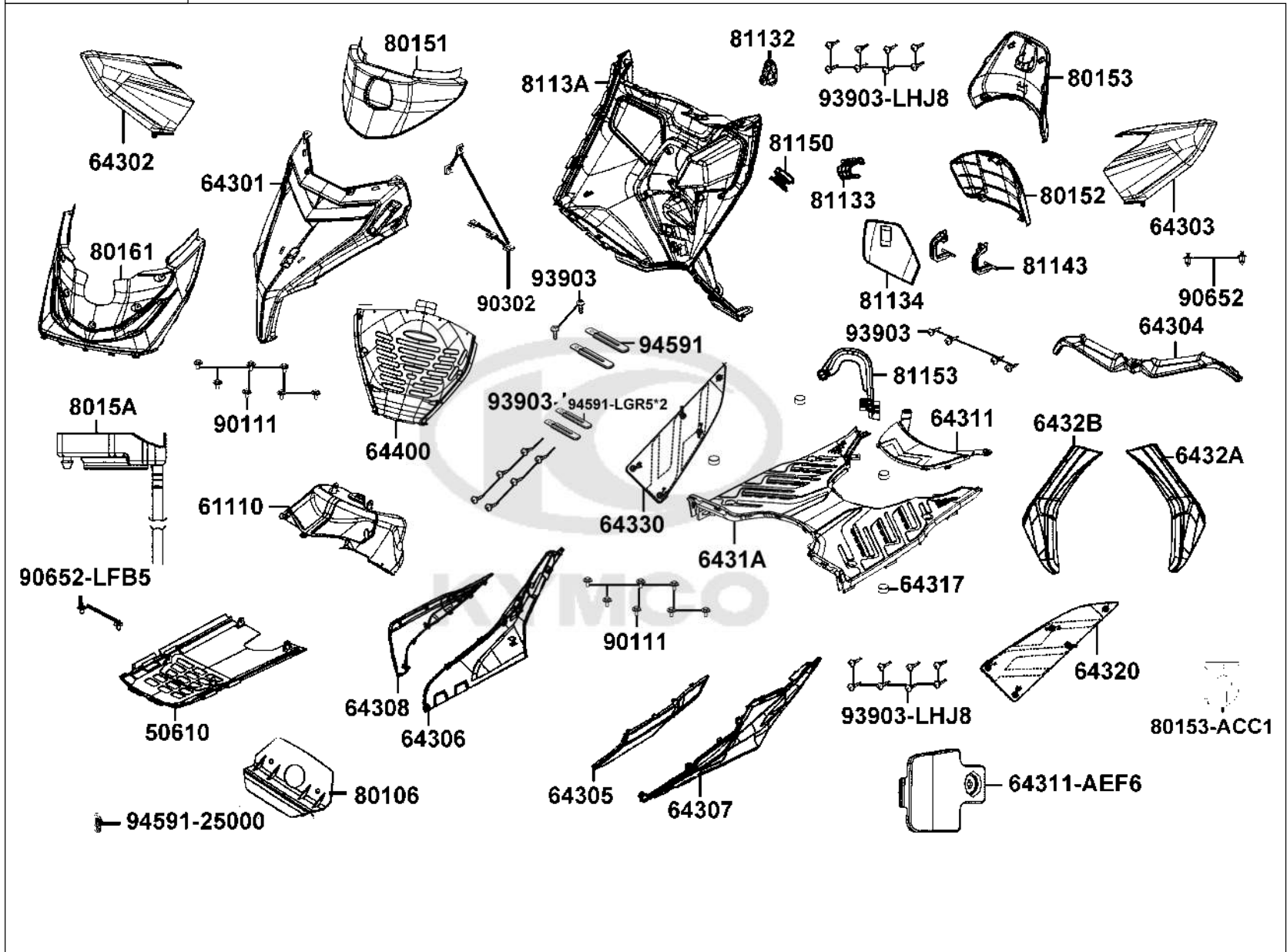
Sales mark	Ref no	Part no	Description	Reg description	Regd no
#**	53178	53178-LKF5-C00	LEVER L STRG HANDLE	LEVER L STRG HANDLE	1
	90113	90113-LGE5-C01	BOLT FLANGE 6X20	BOLT FLANGE 6X20	2
	90145A	90145-LFH1-E00	OIL BOLT 10x22	OIL BOLT 10x22	1
	90145	90145-MKS9-C00	OIL BOLT 10*22(G)	OIL BOLT 10*22(G)	6
	90545	90545-3L00-C00	WASHER OIL BOLT	WASHER OIL BOLT	15
		93600-04012-1G	SCREW FLAT 4X12	SCREW FLAT 4*12	1
		93893-04012-18	SCREW WASHER 4*12	SCREW WASHER 4*12	1
		94050-06060	NUT FLANGE 6MM	NUT FLANGE 6MM	1
	95701	95701-06012-07G	BOLT FLANGE 6X12(KG)	BOLT FLANGE 6*12 (G)	2
	96001	96001-06012-07G	BOLT FLANGE 6*12(G)	BOLT FLANGE 6*12(G)	7
		96600-LGE5-C00	SOCKET BOLT	SOCKET BOLT	1



KYMCO

F05

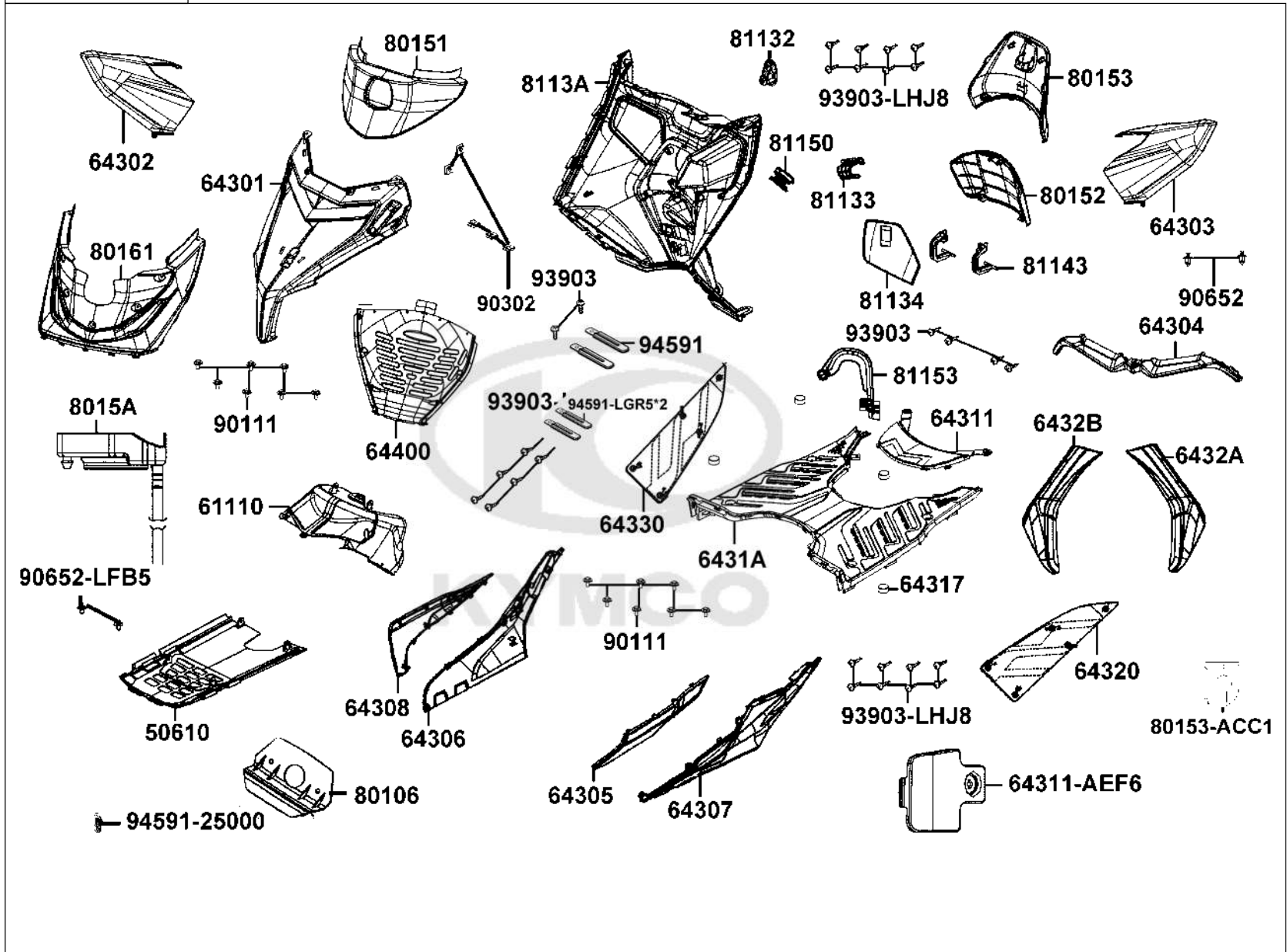
Front Cover Front Fender



Sales mark	Ref no	Part no	Description	Reg description	Regd no
**	50610	50610-AGE7-C00	COVER UNDER	COVER UNDER	1
**	61110	61110-AGE7-C00	FENDER FR INNER	FENDER FR INNER	1
**	64301	64301-AGE7-C00	COVER FR	COVER FR	1
**	64302	64302-AGE7-C00	MOLE R SIDEP	MOLE R SIDEP	1
**	64303	64303-AGE7-C00	MOLE L SIDEP	MOLE L SIDEP	1
**	64304	64304-AGE7-C00	COVER FR LIGHT	COVER FR LIGHT	1
**	64305	64305-AGE7-C00	SKIRT R SIDE	SKIRT R SIDE	1
**	64306	64306-AGE7-C00	SKIRT L SIDE	SKIRT L SIDE	1
**	64307	64307-AGE7-C01	COVER R SIDE MOLD	COVER R SIDE MOLD	1
**	64308	64308-AGE7-C01	COVER L SIDE MOLD	COVER L SIDE MOLD	1
**	64311-AEF6	64311-AEF6-C00	LID COOLING TANK MAINT	LID COOLING TANK MAINT	1
**	64311	64311-AGE7-C00	COVER PUMP	COVER PUMP	1
	64317	64317-AGE7-C00	PLUG FLOOR A	PLUG FLOOR A	4
**	6431A	6431A-AGE7-C00	FLOOR PANEL	FLOOR PANEL	1
**	64320	64320-AGE7-C00	MAT R FLOOR	MAT R FLOOR	1
**	6432A	6432A-AGE7-C01	MOLDING R FR.	MOLDING R FR.	1
**	6432B	6432B-AGE7-C01	MOLDING L FR.	MOLDING L FR.	1
**	64330	64330-AGE7-C00	MAT L FLOOR	MAT L FLOOR	1
**	64400	64400-AGE7-C00	COWL UNDEROR	COWL UNDEROR	1
**	80106	80106-AGE7-C00	FENDER RR LOW	FENDER RR LOW	1

F05

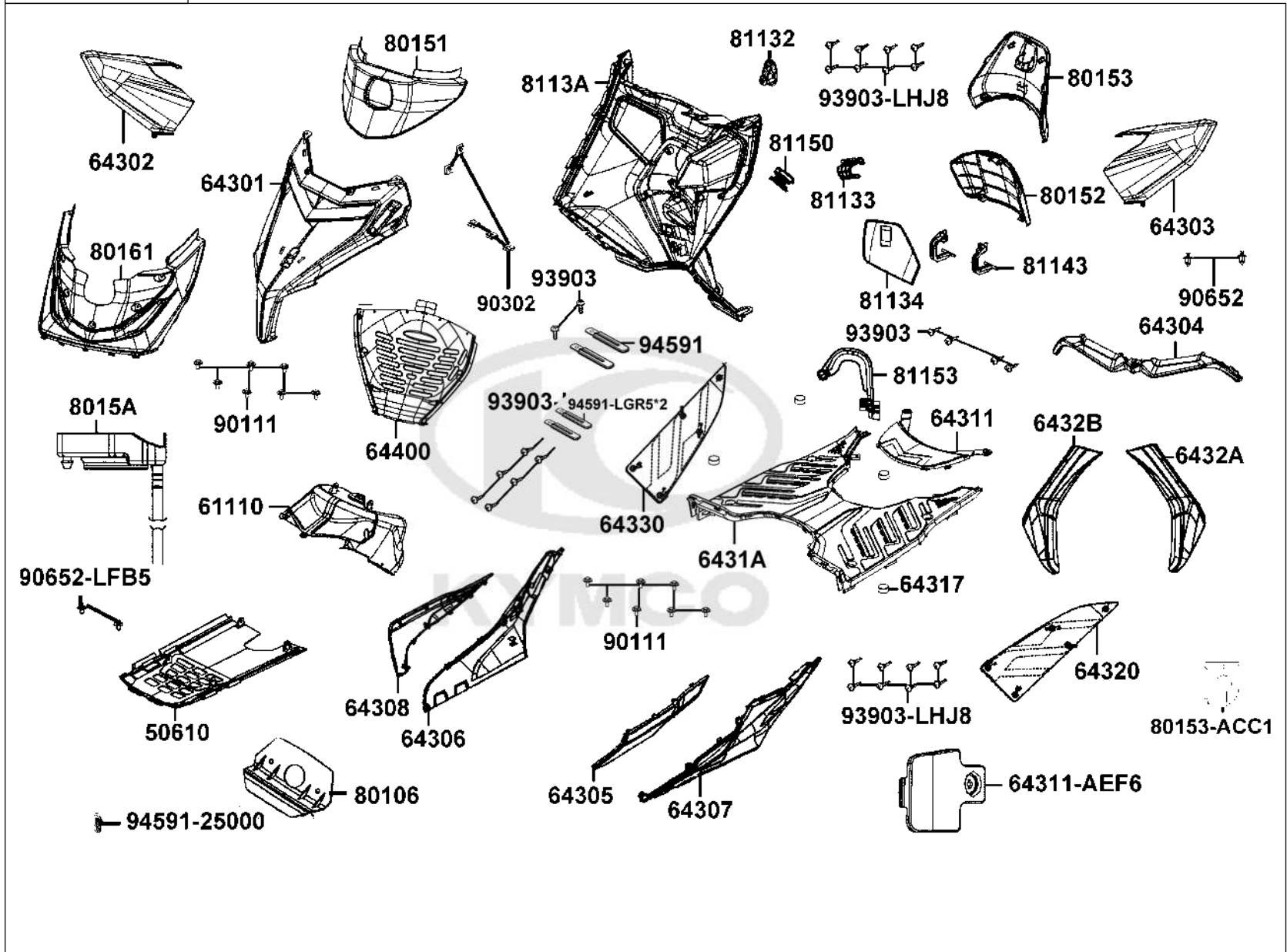
Front Cover Front Fender



Sales mark	Ref no	Part no	Description	Reg description	Regd no
**	80151	80151-AGD8-C00	COVER CENTER	COVER CENTER	1
#**	80152	80152-AGE7-900	LID FUEL CAP MAINT.	"LID,FUEL CAP MAINT."	1
**	80152	80152-AGE7-C00	"LID,FUEL CAP MAINT."	"LID,FUEL CAP MAINT."	1
	80153-ACC1	80153-ACC1-E10	"STAY , FUEL COVER"	"STAY , FUEL COVER"	1
**	80153	80153-AGE7-C00	COVER CENTER	COVER CENTER	1
	8015A	8015A-AGE7-C00	TRAY ASSY. FUEL CAP	TRAY ASSY. FUEL CAP	1
#**	80161	80161-AGE7-900	COVER CENTER LOW	COVER CENTER LOW	1
**	80161	80161-AGE7-C00	COVER CENTER LOW	COVER CENTER LOW	1
	81132	81132-ACC1-E10	HOOK LUGAGGE	HOOK LUGAGGE	1
#**	81133	81133-AGE7-900	HINGE R COVER LEG SHIE	HINDE R COVER LEG SHIE	1
**	81133	81133-AGE7-C00	HINDE R COVER LEG SHIE	HINDE R COVER LEG SHIE	1
**	81134	81134-AGE7-C00	BOX ASSY. L FRONT	BOX ASSY. L FRONT	1
**	8113A	8113A-AGE7-C00	LEG SHIELD	LEG SHIELD	1
#**	81134	81143-AGE7-900	HINGE L COVER LEGSHIE	HINGE L COVER LEGSHIE	1
**	81143	81143-AGE7-C00	HINGE L COVER LEGSHIE	HINGE L COVER LEGSHIE	1
**	81150	81150-AGE7-C00	COVER SW COMP	COVER SW COMP	1
**	81153	81153-AGE7-C00	COVER INNER BOX	COVER INNER BOX	1
	90111	90111-06016-07G	BOLT FLANGE 6*16 (K)	BOLT FLANGE 6*16 (K)	14
	90302	90302-LKB9-C00	NUT SPRING 5MM	NUT SPRING 5MM	42
	90652	90652-LCA4-C10	CLIP MUDGUARD	CLIP MUDGUARD	4

F05

Front Cover Front Fender



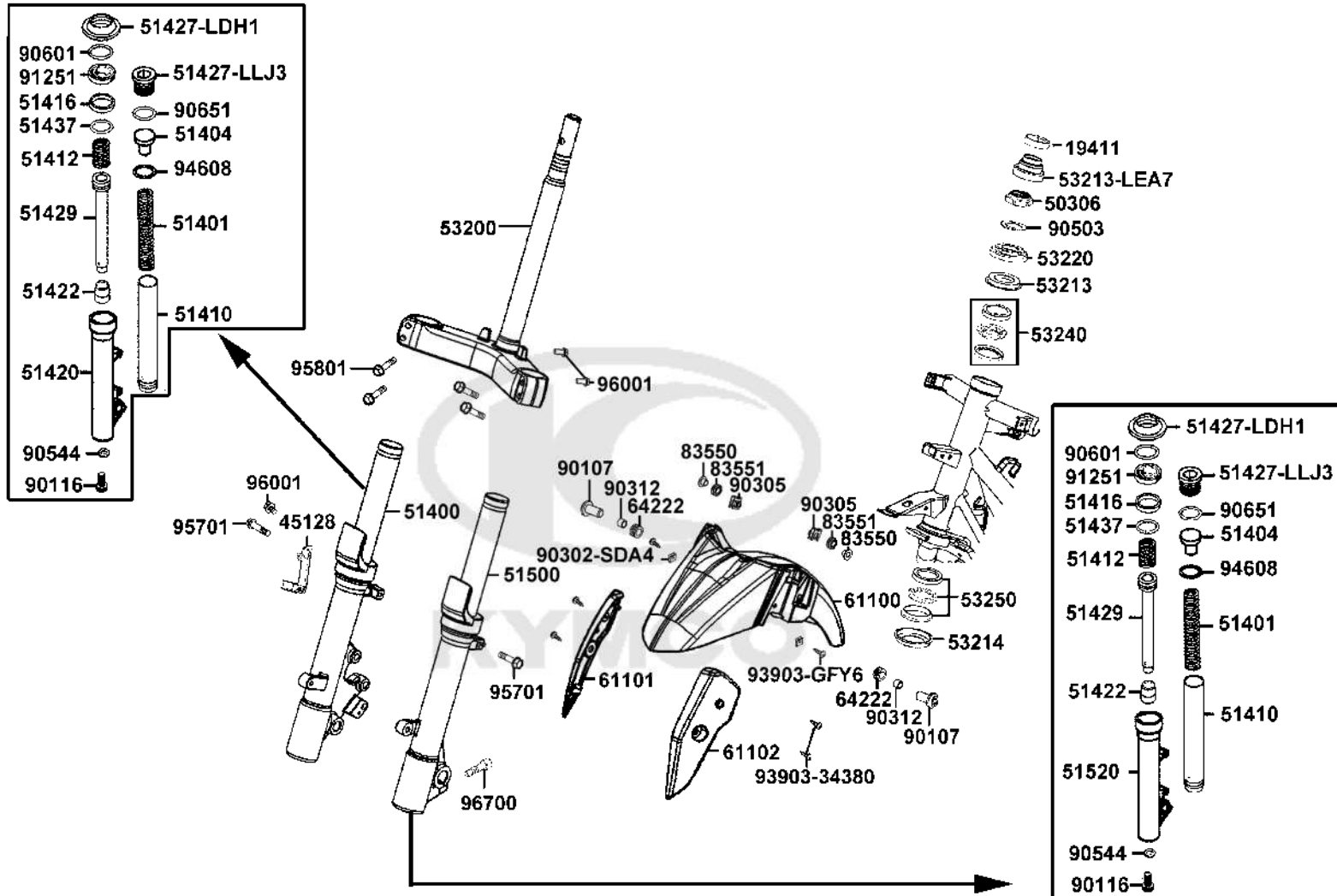
Sales mark	Ref no	Part no	Description	Reg description	Regd no
	90652-LFB5	90652-LFB5-C00	"CLIP,MUDGUARD"	"CLIP,MUDGUARD"	22
	93903	93903-35280-G	SCREW TAPPING 5*12 (K)	SCREW TAPPING 5*12 (K)	32
	93903-LHJ8	93903-LHJ8-C01	SCREW,TAPPING 5X14	SCREW,TAPPING 5X14	38
	94591-25000	94591-25000	CLIP BIND	CLIP BIND	2
	94591	94591-LGR5-E10	CLIP 1*100	CLIP 1*100	2

F05



F06

Stem Steering Front Cushion

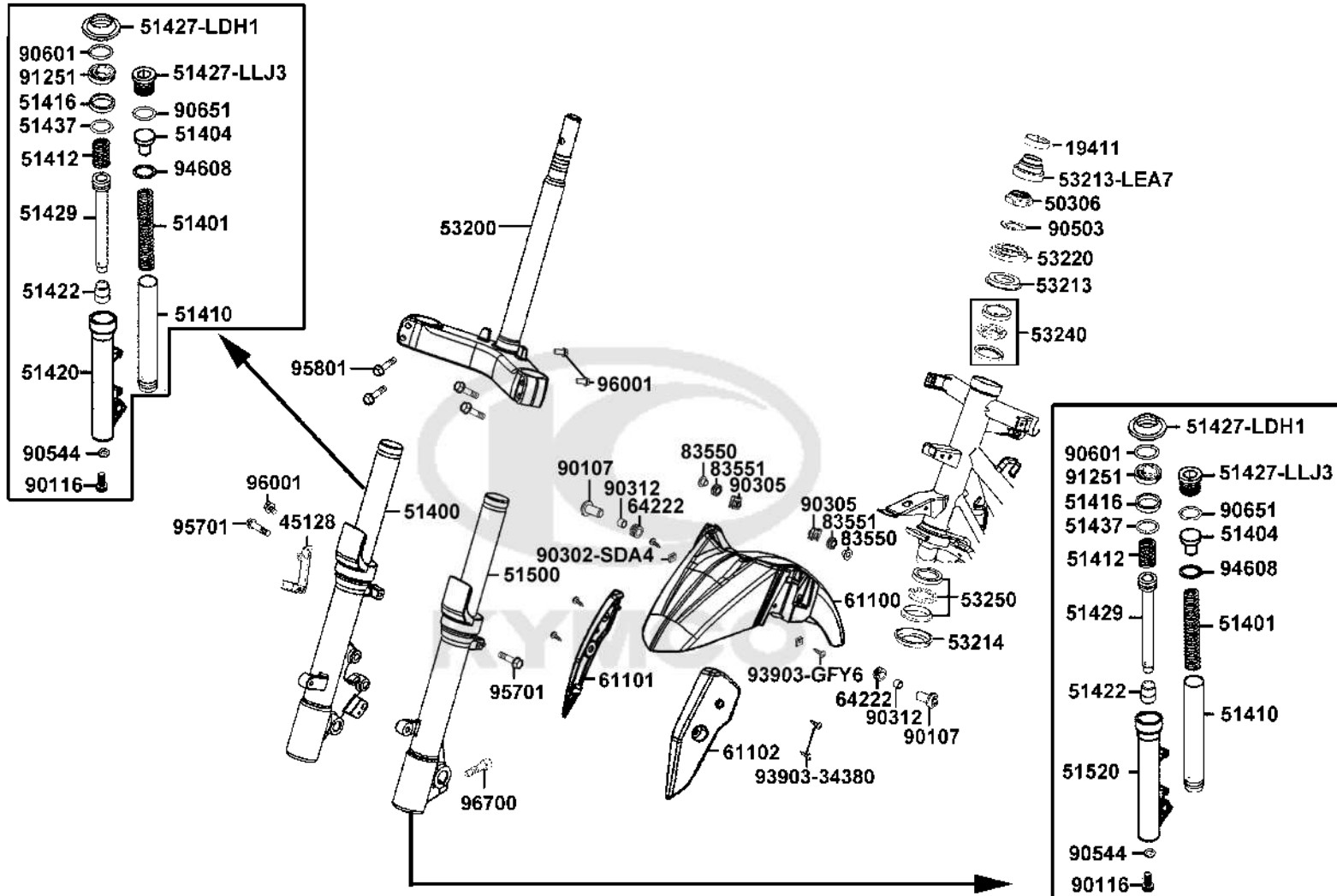


Sales mark	Ref no	Part no	Description	Reg description	Regd no
	19411	19411-LFG2-C00	"CLIP. HOSE"	"CLIP. HOSE"	1
	45128	45128-ABD2-C00	CLAMPER FR BRK HOSE	CLAMPER FR BRK HOSE	1
	50306	50306-1F96-C00	NUT STRG STEM LOCK	NUT STRG STEM LOCK	1
**	51400	51400-AGE8-E60	FORK ASSY FRONT R	FORK ASSY FRONT R	1
	51401	51401-ABD2-C00	SPRING	SPRING	2
	51404	51404-LDH1-C00	SPRING COLLAR	SPRING COLLAR	2
	51410	51410-AGE7-C00	FORK PIPE COMP	FORK PIPE COMP	2
	51412	51412-LLJ3-C00	REBOUND SPRING	REBOUND SPRING	2
	51416	51416-LDH1-C00	GUIDE BUSH	GUIDE BUSH	2
**	51420	51420-ABD2-C01	BOTTOM CASE R	BOTTOM CASE R	1
	51422	51422-KED9-C00	OIL LOCK PIECE	OIL LOCK PIECE	2
	51427-LDH1	51427-LDH1-C00	DUST SEAL	DUST SEAL	2
	51427-LLJ3	51427-LLJ3-C00	FORK BOLT CAP	FORK BOLT CAP	2
	51429	51429-LEA7-E00	PIPE SEAT COMP	PIPE SEAT COMP	2
	51437	51437-LDH1-C00	PISTON RING	PISTON RING	2
**	51500	51500-AGE8-E60	FORK ASSY FRONT L	FORK ASSY FRONT L	1
**	51520	51520-ABD2-C01	BOTTOM CASE L	BOTTOM CASE L	1
	53200	53200-AGE7-C00	STEM COMP STRG	STEM COMP STRG	1
	53213	53213-LBA2-C00	DUST SEAL STRG HEAD TOP	DUST SEAL STRG HEAD TOP	1
	53213-LEA7	53213-LEA7-C00	"DUST SEAL. STRG"	"DUST SEAL. STRG"	1

F06

F06

Stem Steering Front Cushion

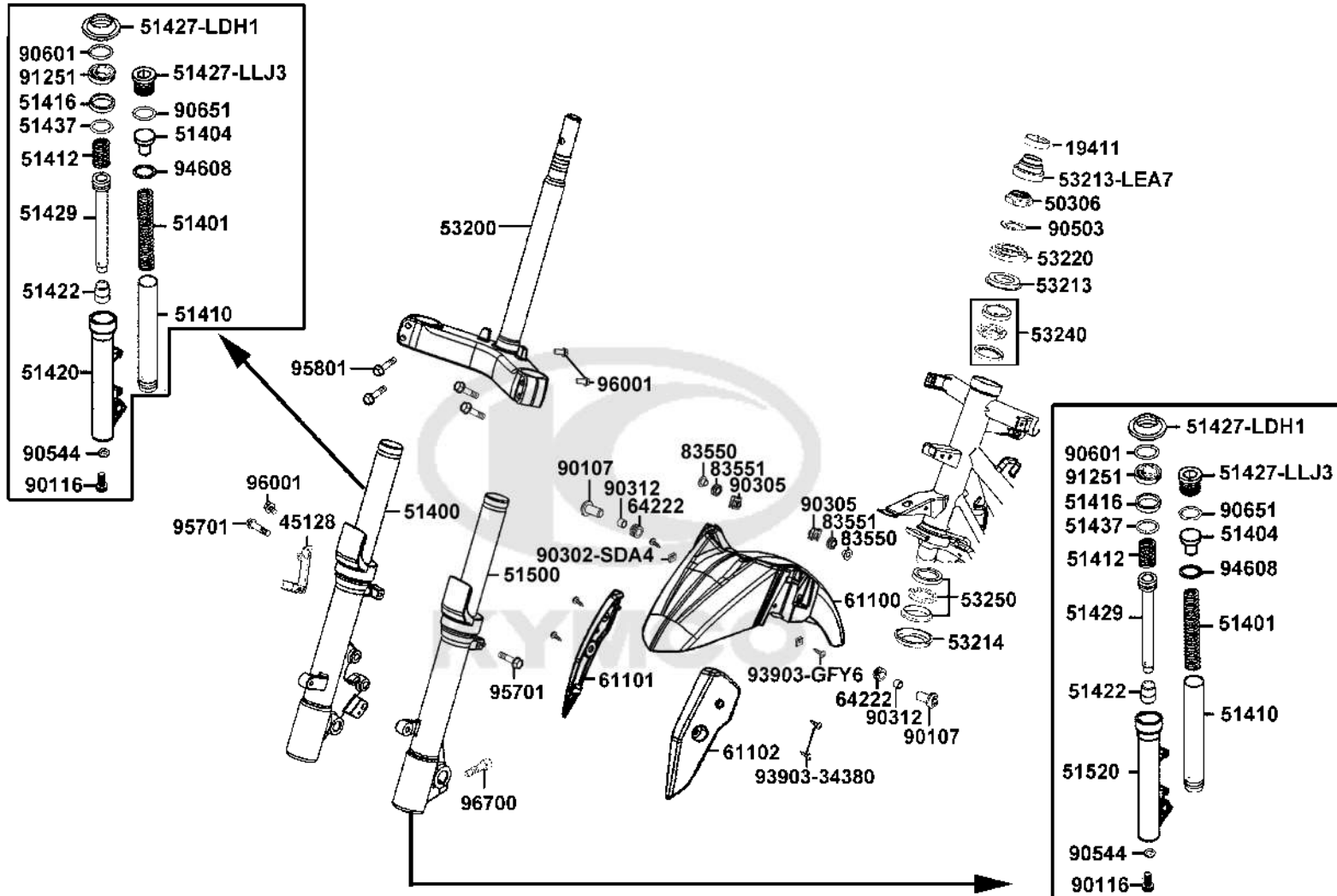


Sales mark	Ref no	Part no	Description	Reg description	Regd no
	53214	53214-LBA2-C00	DUST SEAL STRG HEAD BOT	DUST SEAL STRG HEAD BOT	1
	53220	53220-LBA2-E00	THREAD COMP STRG HEAD TOP	THREAD COMP STRG HEAD TOP	1
	53240	53240-LEA7-90A	BEARING TOP STRG (mark:TP1)	BEARING TOP STRG (mark:TP1)	1
	53250	53250-LEA7-90A	BEARING BOT STRG (mark:TP1)	BEARING BOT STRG (mark:TP1)	1
**	61100	61100-AGE7-C00	"ARM COMP,SWING"	"ARM COMP,SWING"	1
**	61101	61101-AGE7-C00	FENDER, SIDE R	FENDER, SIDE R	1
**	61102	61102-AGE7-C00	FENDER, SIDE L	FENDER, SIDE L	1
	64222	64222-LLJ3-C00	RUBBER WIND SCREEN	RUBBER WIND SCREEN	2
	83550	83550-KEC8-C00	COLLAR SET METER	COLLAR	4
	83551	83551-KEC8-C10	GROMMET COVER	GROMMET COVER	4
	90107	90107-LEA7-C01	BOLT SPECIAL 8*26	BOLT SPECIAL 8*26	2
	90116	90116-KEC8-C00	SOCKET BOIT	SOCKET BOIT	2
	90302-SDA4	90302-SDA4-C01	"NUT,SPPING 4MM"	"NUT,SPPING 4MM"	2
	90305	90305-LBA2-C00	"NUT.CLIP 6MM"	"NUT.CLIP 6MM"	2
	90312	90312-LLJ3-C00	COLLAR WIND SCREEN	COLLAR WIND SCREEN	2
	90503	90503-LEA7-C00	WASHER STRG STEM NUT	WASHER STRG STEM NUT	1
	90544	90544-KEC8-C00	PACKING	PACKING	2
	90601	90601-LLJ3-C00	OIL SEAL STOPPER RING	OIL SEAL STOPPER RING	2
	90651	90651-LLJ3-C00	STOPPER RING	STOPPER RING	2
	91251	91251-LLJ3-C00	OIL SEAL	OIL SEAL	2

F06

F06

Stem Steering Front Cushion



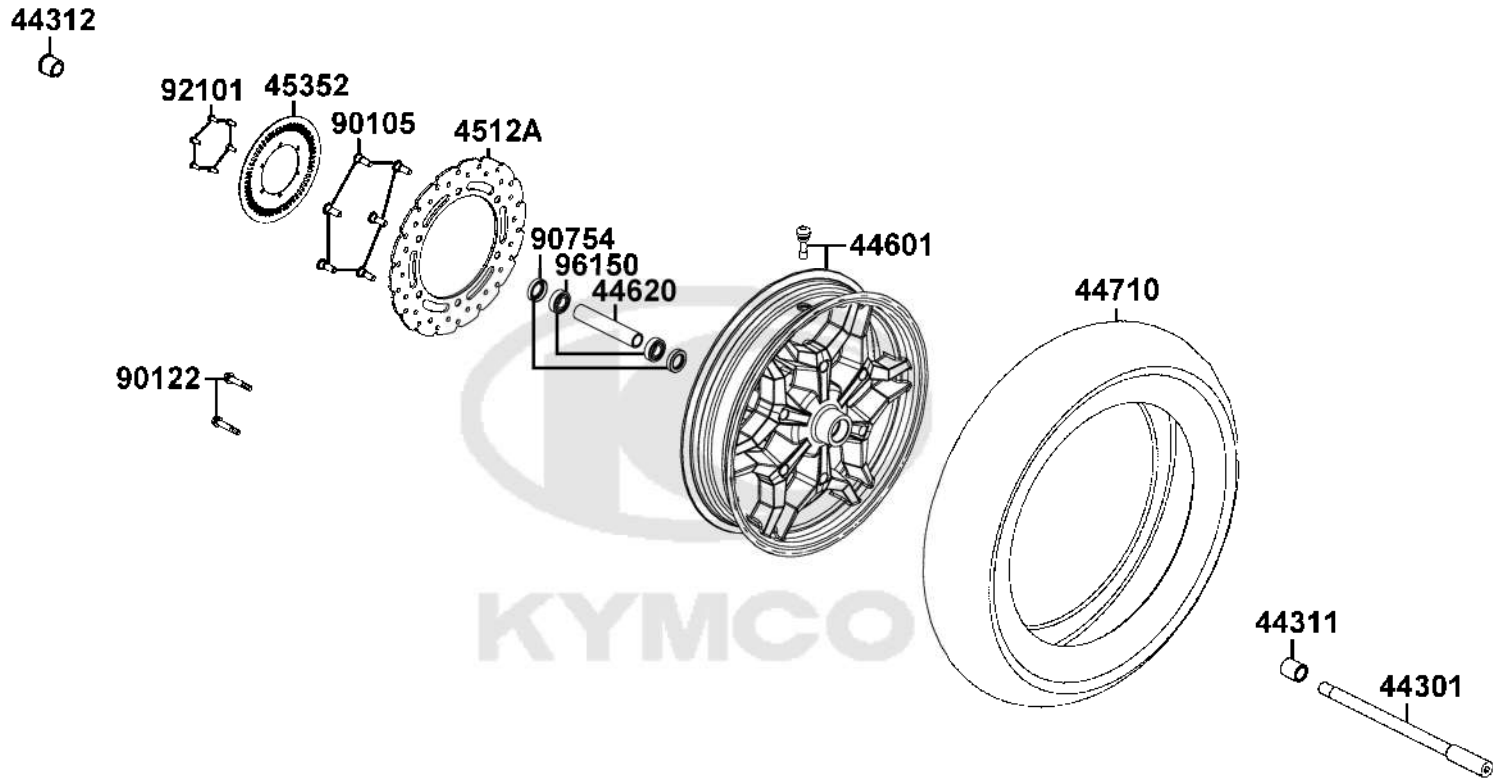
Sales mark	Ref no	Part no	Description	Reg description	Regd no
	93903-34380	93903-34380-G	SCREW TAPPING 4x12	SCREW TAPPING 4x12	4
	93903-GFY6	93903-GFY6-C01	SCREW TAPPING 4*14(K)	SCREW TAPPING 4*14	2
	94608	94608-LLJ3-C00	O-RING	O-RING	2
	95701	95701-06050-07G	BOLT FLANGE 6*50 (G)	BOLT FLANGE 6*50 (G)	2
	95801	95801-08040-08G	BOLT FLANGE 8*40	BOLT FLANGE 8*40	4
	96001	96001-06012-07G	BOLT FLANGE 6*12(G)	BOLT FLANGE 6*12(G)	3
	96700	96700-KED9-C01	SOCKET BOLT 8*30 (G)	SOCKET BOLT 8*30 (G)	1

F06



F07

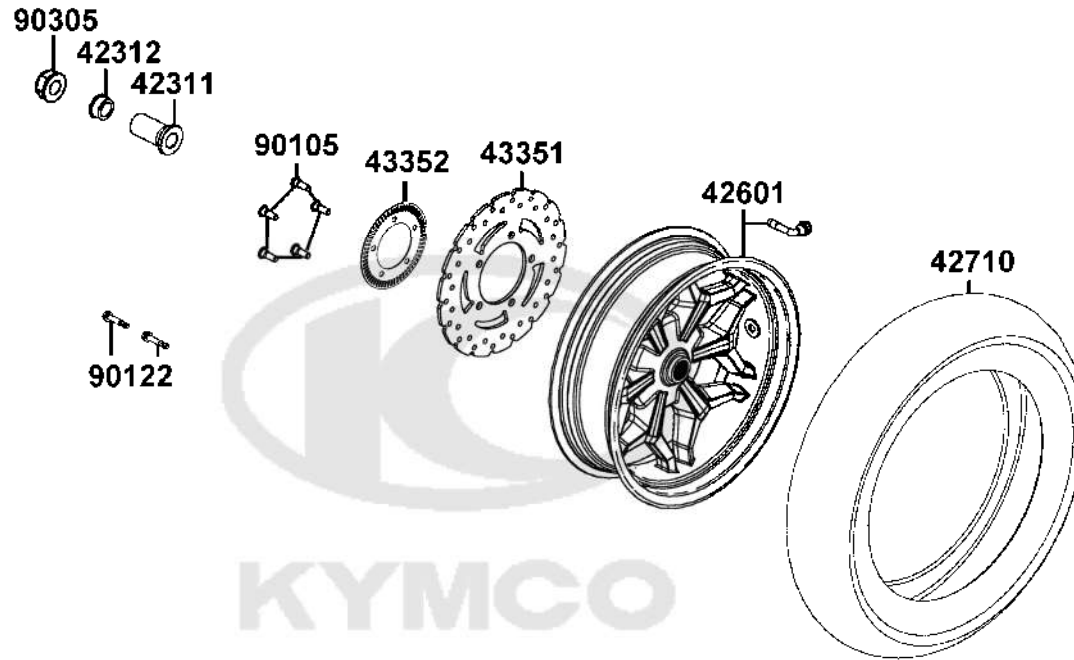
Front Wheel



Sales mark	Ref no	Part no	Description	Reg description	Regd no	F07
	44301	44301-LEA7-E00	AXLE FR WHEEL M14*282MM	AXLE FR WHEEL	1	
	44311	44311-AGD8-C00	SIDE COLLAR FR	SIDE COLLAR FR	1	
	44312	44312-AGD8-C00	CAP FR AXLE	CAP FR AXLE	1	
**	44601	44601-AGE7-C00	WHEEL FR CAST	WHEEL FR CAST	1	
	44620	44620-LEA7-C00	COLLAR FR DIST	COLLAR FR DIST	1	
	44710	44710-AGE7-E60	TIRE ASSY FR	TIRE ASSY FR	1	
	4512A	4512A-LEA7-C01	DISK FR BRK	DISK FR BRK	1	
	45352	45352-LEA7-E00	TOOTHED RING SENSOR	TOOTHED RING, SENSOR	1	
	90105	90105-LEA7-E00	BOLT FR DISK 8x30	BOLT, FR DISK 8x30	5	
	90122	90122-LEA7-C01	BOLT FLANGE 8*32	BOLT FLANGE 8*32	2	
	90754	90754-LLJ3-C00	DUST SEAL 22X32X7	DUST SEAL 22X32X7	2	
	92101	92101-05012-0HG	BOLT HEX 5*12	BOLT HEX 5*12	6	
	96150	96150-60020-10	BEARING BALL RADIAL 6002	BEARING BALL RADIAL 6002	2	

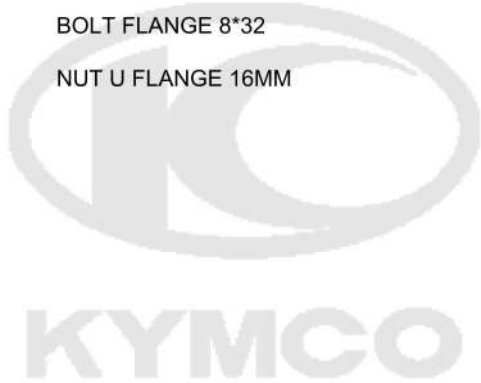
F08

Rear Wheel



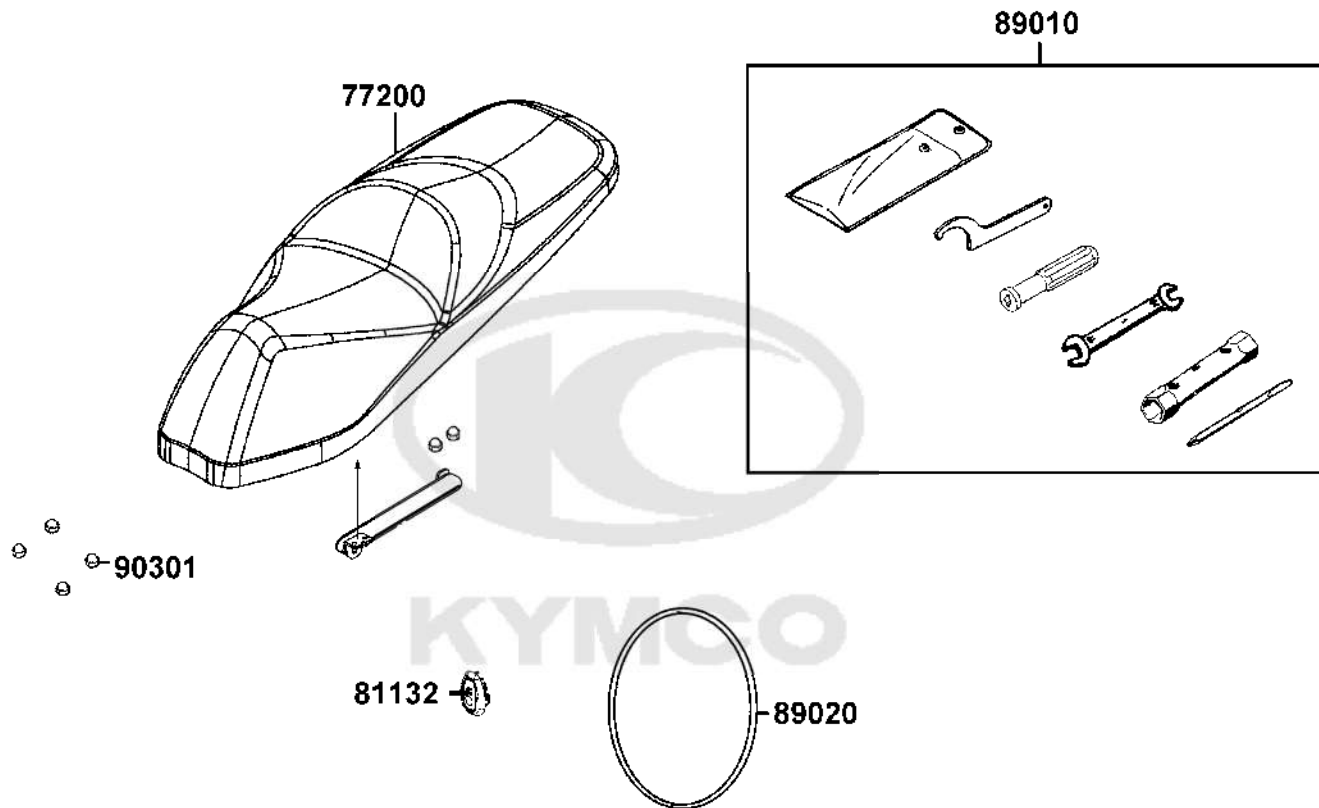
Sales mark	Ref no	Part no	Description	Reg description	Regd no
	42311	42311-ABD2-C00	COLLAR RR PANDL SIDE	COLLAR RR PANDL SIDE	1
	42312	42312-LEA7-C00	"COLLAR. RR AXLE SIDE"	"COLLAR. RR AXLE SIDE"	1
**	42601	42601-AGE7-C00	WHEEL COMP RR CAST	WHEEL COMP RR CAST	1
	42710	42710-AGE7-E60	TIRE ASSY FR	TIRE ASSY RR 150/70-13	1
	43351	43351-ABD2-C00	"DISK. RR BRAKE"	"DISK. RR BRAKE"	1
	43352	43352-LEA7-E01	TOOTHED RING SENSOR	READ PLATE, RR	1
	90105	90105-KCR3-C02	BOLT FR DISK 8*24	BOLT FR DISK 8*24	5
	90122	90122-LEA7-C01	BOLT FLANGE 8*32	BOLT FLANGE 8*32	2
	90305	90305-KKAK-C00	NUT U FLANGE 16MM	NUT U FLANGE 16MM	1

F08



F09

Seat

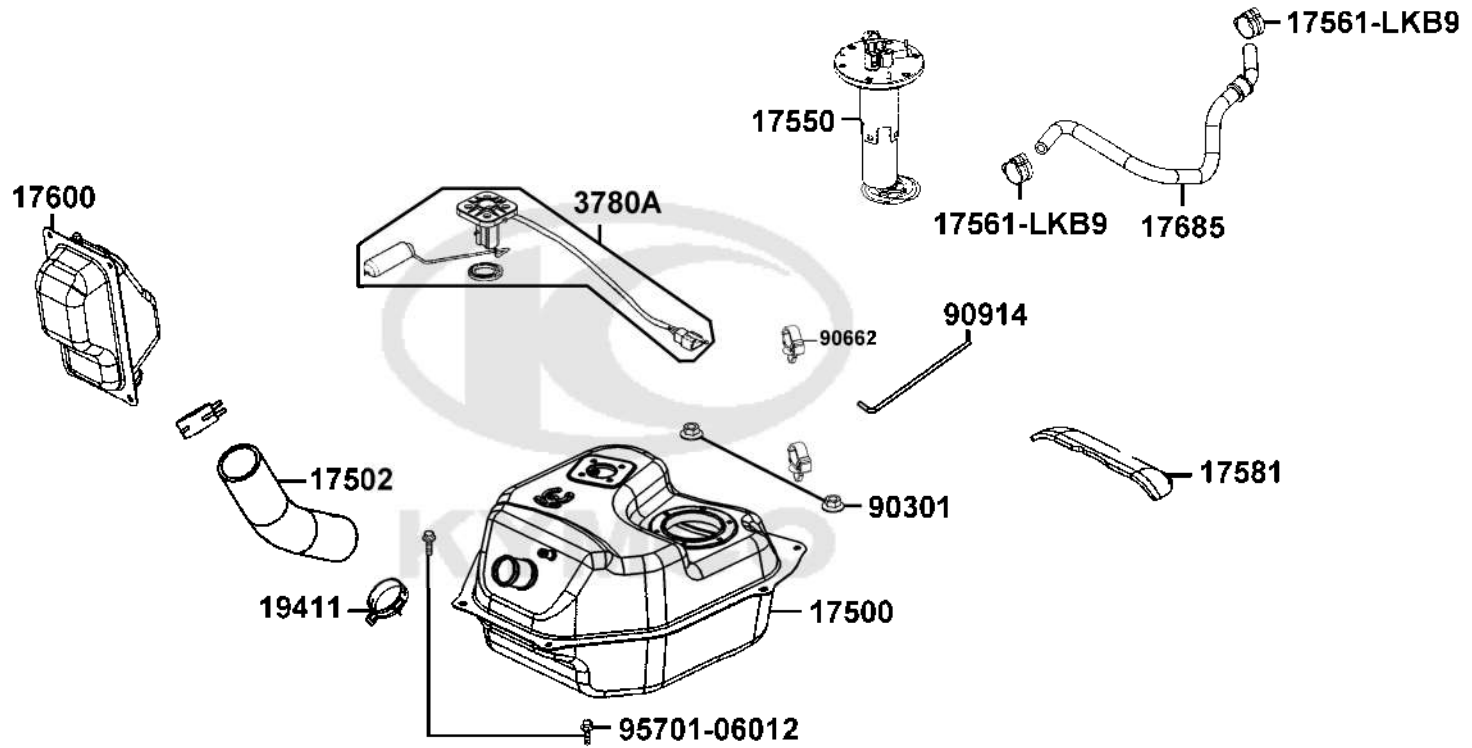


Sales mark	Ref no	Part no	Description	Reg description	Regd no	F09
**	77200	77200-AGE8-EZ5	SEAT ASSY	SEAT ASSY	1	
	81132	81132-ACC1-E10	HOOK LUGAGGE	HOOK LUGAGGE	1	
	89010	89010-ABD2-C00	TOOL SET	TOOL SET	1	
	89020	89020-KKC4-C00	BAND TOOL SET	BAND TOOL SET	1	
	90301	90301-6C93-C01	NUT 6MM OPENSTAY	NUT 6MM OPENSTAY	8	



F10

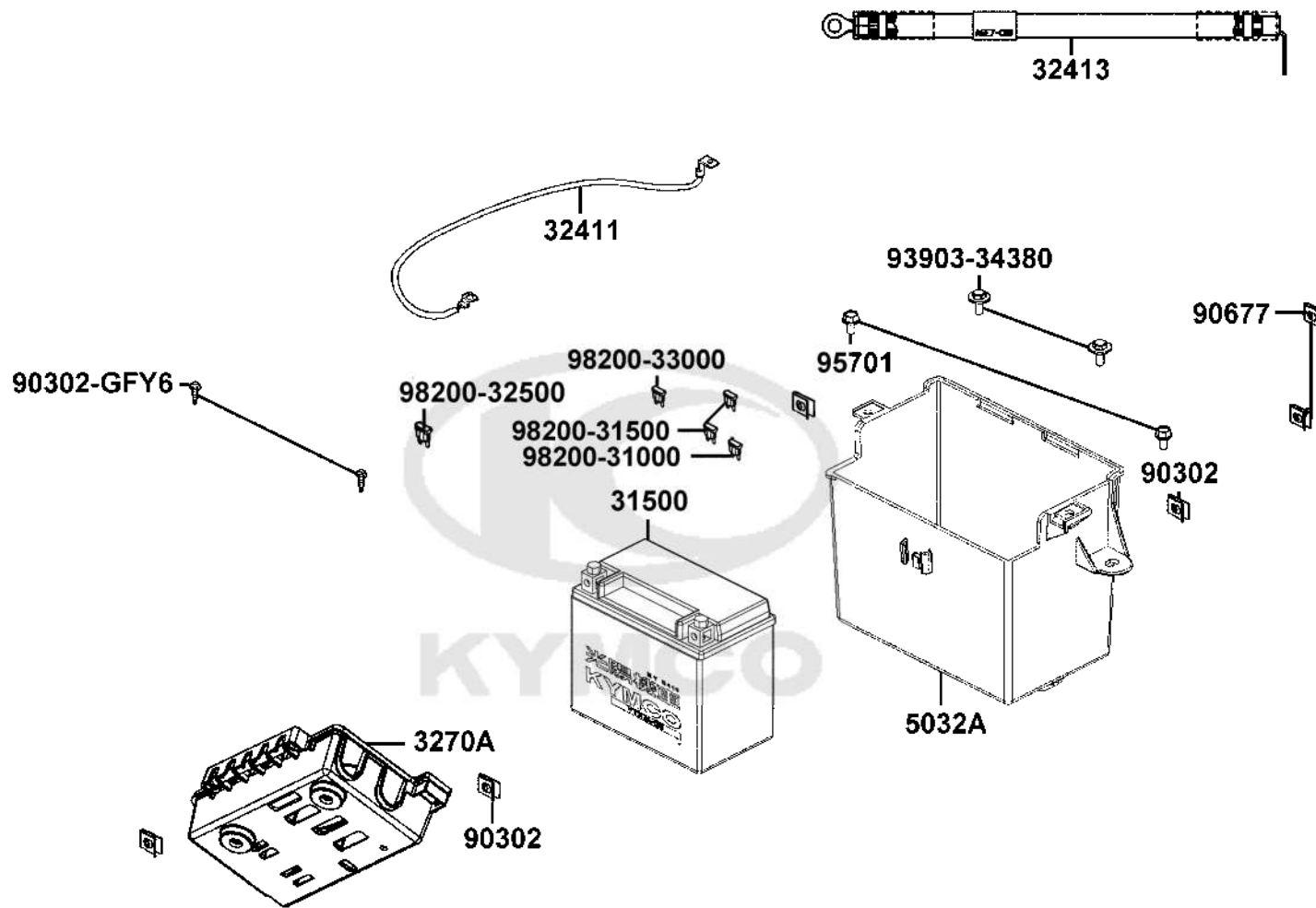
Fuel Tank



Sales mark	Ref no	Part no	Description	Reg description	Regd no	F10
17500		17500-AGD8-C00	TANK COMP FUEL	TANK COMP FUEL	1	
17502		17502-AGE7-C00	HOSE FUEL	HOSE FUEL	1	
17550		17550-AGE7-C00	PUMP ASSY	PUMP ASSY	1	
17561-LKB9		17561-LKB9-900	CLIP 12.5	CLIP 12,5	1	
17581		17581-LEA7-C00	"SPONGE.FUEL TANK"	"SPONGE.FUEL TANK"	1	
17600		17600-AGE7-C00	COVER TANK	COVER TANK	1	
17685		17685-AGE7-C00	TUBE FUEL	TUBE FUEL	1	
19411		19411-KBCB-900	CLIP HOSE	CLIP HOSE	2	
3780A		3780A-AGE7-C00	FUEL UNIT	FUEL UNIT	1	
90301		90301-6D34-C01	NUT FLANGE 6MM(C)	NUT FLANGE 6MM	4	
90662		90662-ZZA6-E03	HARNESS CLAMP D18-D11	CLAMP.	1	
90914		90914-AGE7-C00	TUBE ASSY. WATER	TUBE ASSY. WATER	1	
95701-06012		95701-06012-08G	BOLT FLANGE 6*12	BOLT FLANGE 6*12	4	

F11

Battery

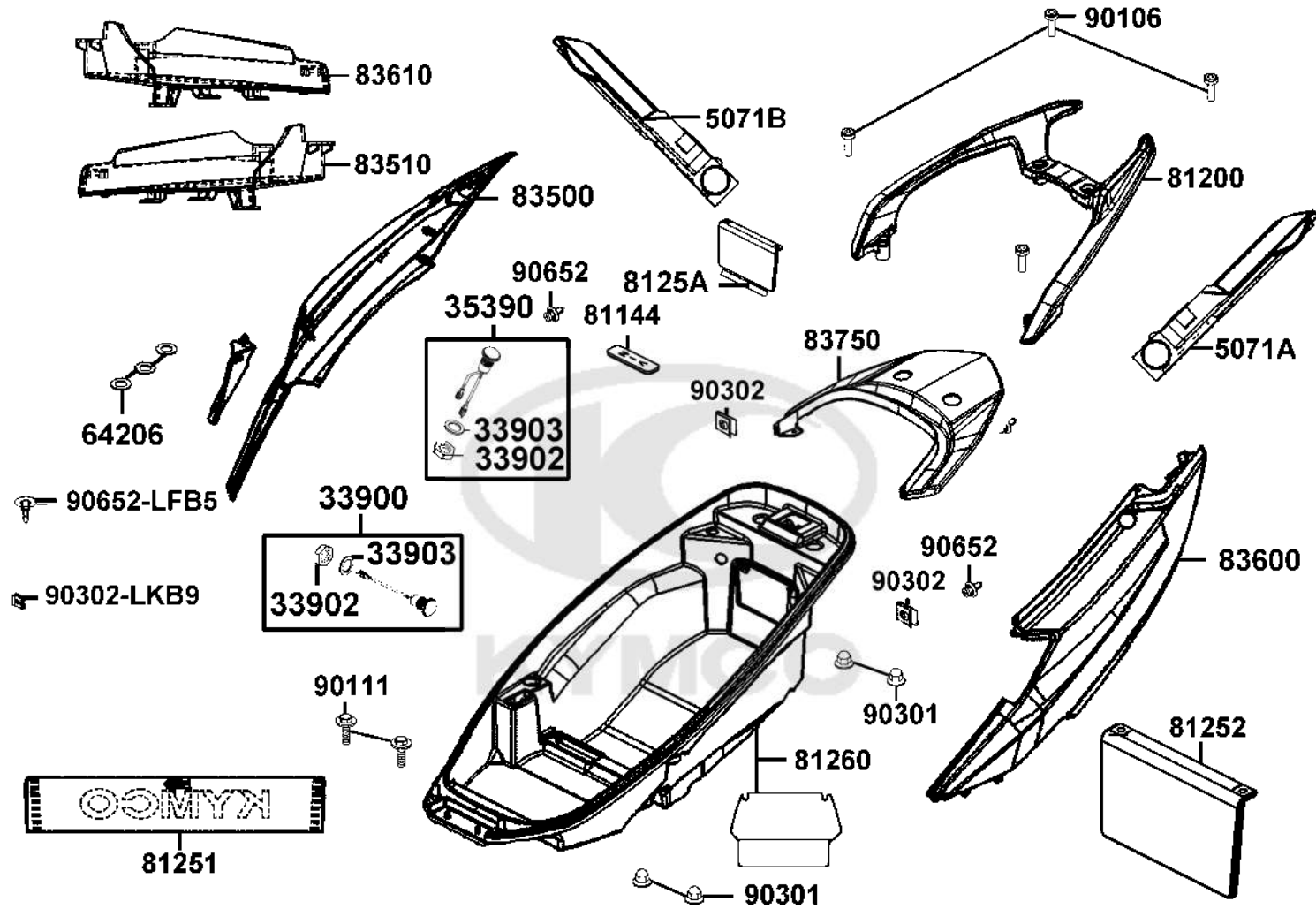


Sales mark	Ref no	Part no	Description	Reg description	Regd no
	31500	31500-KHE7-EZ0	BATTERY YT12-4	BATTERY YT12-4	1
	32411	32411-AGE7-C00	CABLE BAT	CABLE BAT	1
	32413	32413-AGE7-C00	CABLE EARTH	CABLE EARTH	1
	3270A	3270A-AGE7-C00	BOX COMP WIRE	BOX COMP WIRE	1
**	5032A	5032A-AGE7-C00	CASE ASSY BATTERY	CASE ASSY BATTERY	1
	90302-GFY6	90302-GFY6-C11	BOLT-WASH 5*16	BOLT-WASH 5*16	2
	90302	90302-SDA4-C01	"NUT,SPPING 4MM"	"NUT,SPPING 4MM"	2
	90677	90677-GAR1-C01	NUT CLIP 5MM	NUT CLIP 5MM	4
	93903-34380	93903-34380-G	SCREW TAPPING 4x12	SCREW TAPPING 4x12	2
	95701	95701-06012-08G	BOLT FLANGE 6*12	BOLT FLANGE 6*12	4
	98200-31000	98200-31000	BLADE FUSE 10A **(0) C.2005.03.01	BLADE FUSE 10A	1
	98200-31500	98200-31500	FUSE A15	BLADE FUSE 15A	2
	98200-32500	98200-32500	BLADE FUSE 25A	BLADE FUSE 25A	1
	98200-33000	98200-33000	BLADE FUSE 30A	BLADE FUSE 30A	1

F11

F12

Body Cover Luggage Box

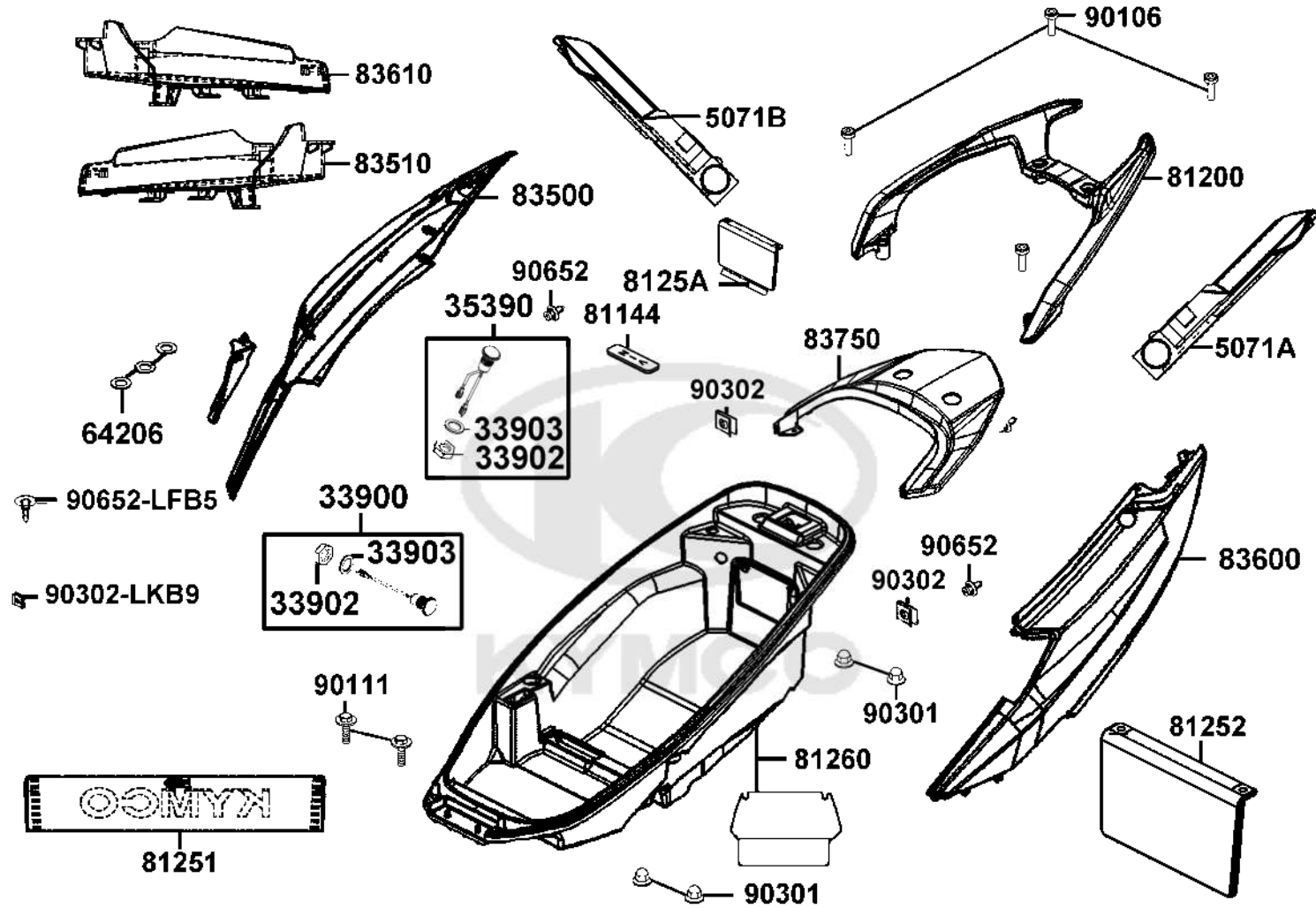


Sales mark	Ref no	Part no	Description	Reg description	Regd no
	33900	33900-LHG7-E00	LIGHT ASSY LUGGAGE BOX	LIGHT ASSY LUGGAGE BOX	1
	33902	33902-LHG7-E00	NUT SCREW	NUT SCREW	2
	33903	33903-LHG7-E00	PACKING	PACKING	2
	35390	35390-LHG7-E00	SENSOR .LUGGAGE BOX LIGHT	SENSOR .LUGGAGE BOX LIGHT	1
	5071A	5071A-LDA6-C00	BAR R P STEP ASSY	BAR STEP R ASSY	1
	5071B	5071B-LDA6-C00	BAR L P STEP ASSY	BAR STEP L ASSY	1
	64206	64206-MLJ0-C01	NUT SPEED 4MM	NUT SPEED 4MM	4
	81144	81144-ALJ8-E10	LID LEG SHIELD	LID LEG SHIELD	1
**	81200	81200-AGE7-C01	CARRIER RR	CARRIER RR	1
**	81251	81251-AGE7-C00	PLATE LUGGAGE BOX	PLATE LUGGAGE BOX	1
	81252	81252-AGE8-E00	BOX LUGGAGE RUBBER	BOX LUGGAGE RUBBER	1
**	8125A	8125A-AGE8-E00	COVER BOX LUGGAGE	COVER BOX LUGGAGE	1
**	81260	81260-AGE8-E00	BOX ASSY LUGGAGE	BOX ASSY LUGGAGE	1
**	83500	83500-AGE7-C00	COVER R BODY	COVER R BODY	1
#**	83510	83510-AGE7-900	COVER R SIDE	COVER R SIDE	1
**	83510	83510-AGE7-C00	COVER R SIDE	COVER R SIDE	1
**	83600	83600-AGE7-C00	COVER L BODY	COVER L BODY	1
#**	83610	83610-AGE7-900	COVER L SIDE	COVER L SIDE	1
**	83610	83610-AGE7-C00	COVER L SIDE	COVER L SIDE	1
**	83750	83750-AGE7-C00	COVER RR CENTERER	COVER RR CENTERER	1

F12

F12

Body Cover Luggage Box



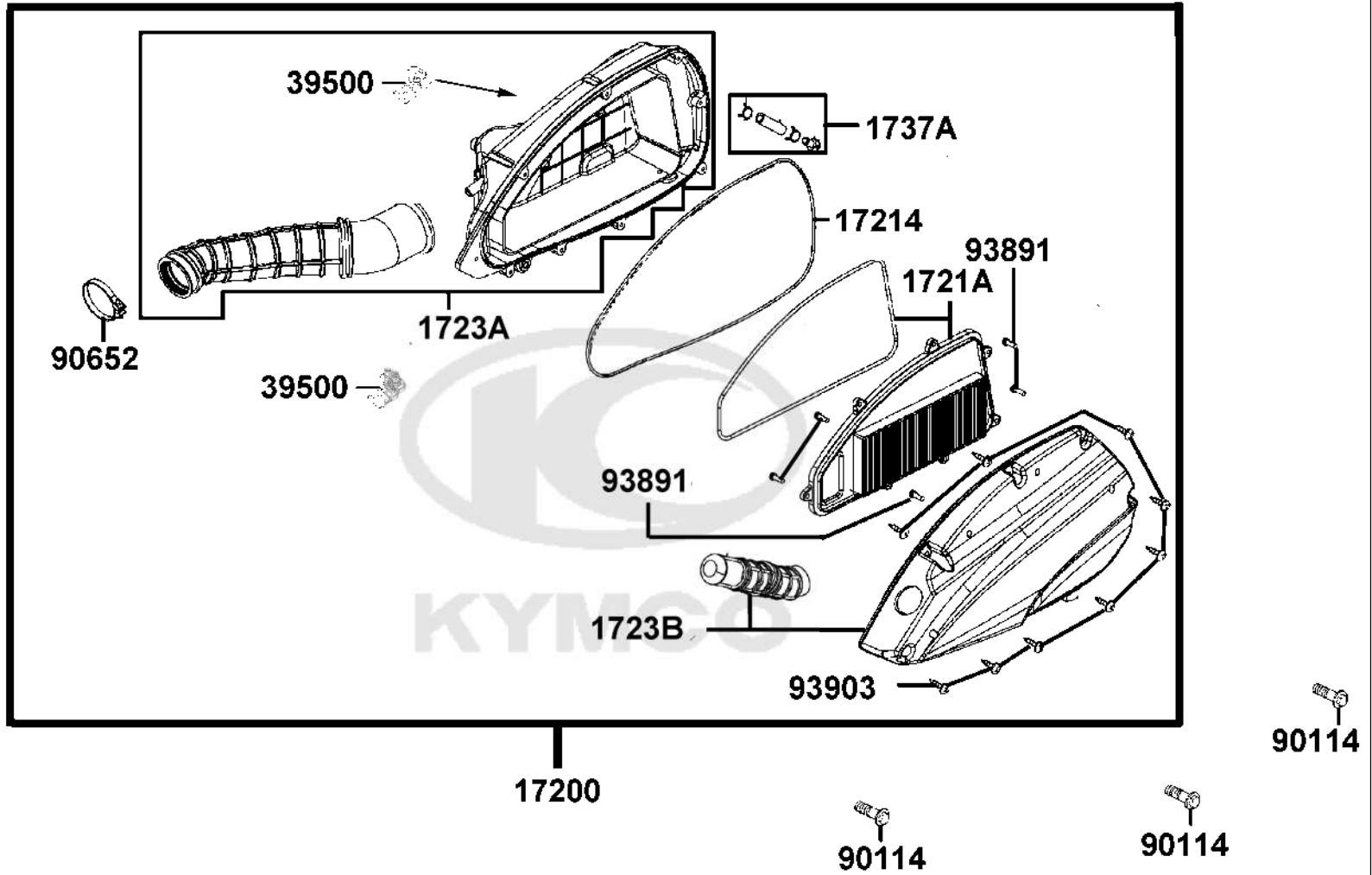
Sales mark	Ref no	Part no	Description	Reg description	Regd no
	90106	90106-KFC2-900	BOLT SPECIAL 8MM	BOLT-WASH 8MM	4
	90111	90111-06016-07G	BOLT FLANGE 6*16 (K)	BOLT FLANGE 6*16 (K)	2
	90301	90301-6C93-C01	NUT 6MM OPENSTAY	NUT 6MM OPENSTAY	6
	90302-LKB9	90302-LKB9-C00	NUT SPRING 5MM	NUT SPRING 5MM	2
	90302	90302-SDA4-C01	"NUT,SPPING 4MM"	"NUT,SPPING 4MM"	2
	90652	90652-LCA4-C10	CLIP MUDGUARD	CLIP MUDGUARD	6
	90652-LFB5	90652-LFB5-C00	"CLIP,MUDGUARD"	"CLIP,MUDGUARD"	1

F12



F13

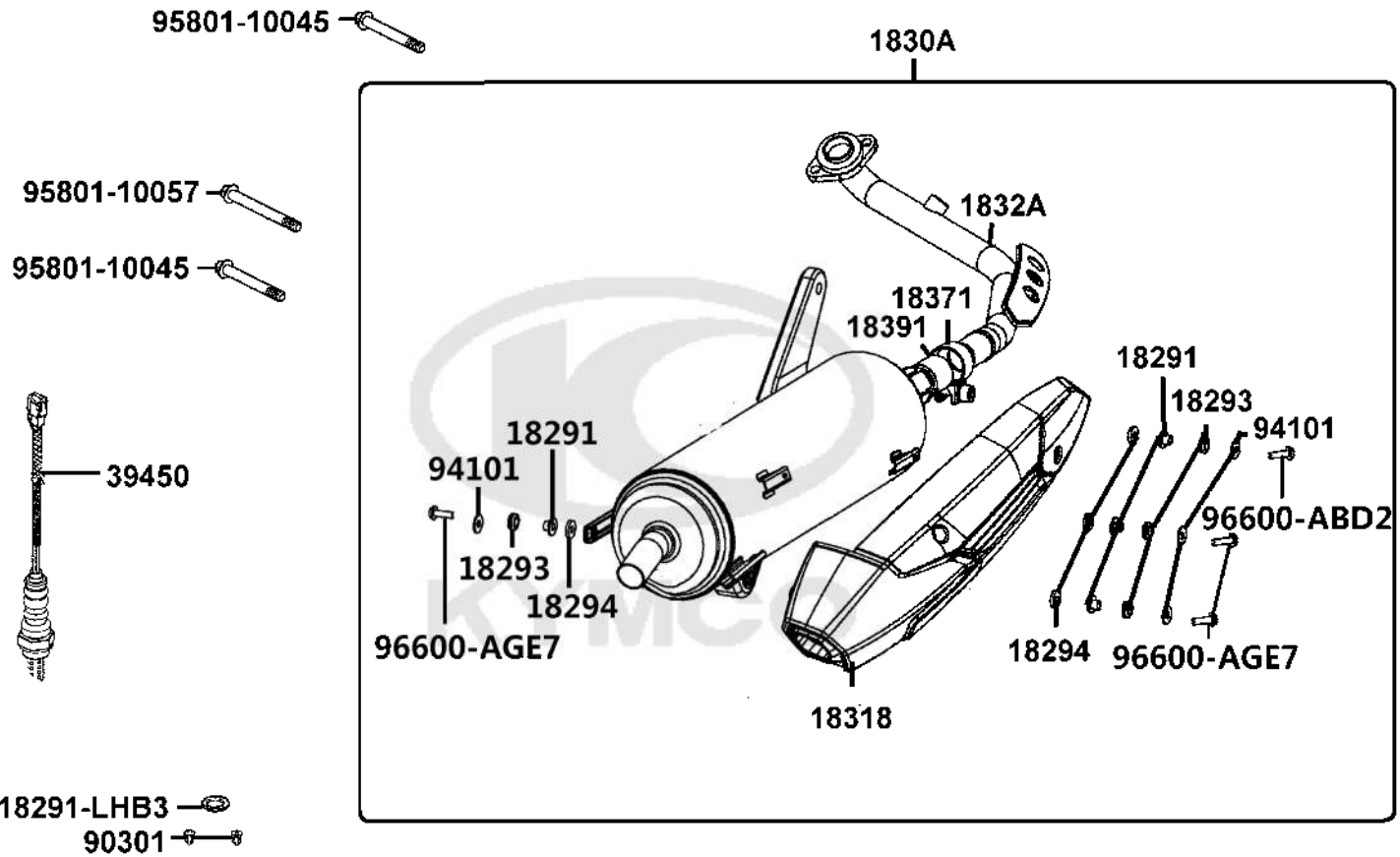
Air Cleaner



Sales mark	Ref no	Part no	Description	Reg description	Regd no
	17200	17200-AGE7-EZ5	AIR/C ASSY	AIR/C ASSY	1
	17214	17214-ABD2-C00	SEAL AIR/C CASE	SEAL AIR/C CASE	1
	1721A	1721A-ABD2-C00	ELEMENT ASSY AIR/C	ELEMENT ASSY AIR/C	1
	1723A	1723A-ABD2-EZ5	CASE ASSY. AIR/C	CASE ASSY	1
	1723B	1723B-ABD2-C00	COVER ASSY AIR/C	COVER ASSY AIR/C	1
	1737A	1737A-ABD2-C00	V TUBE ASSY	V TUBE ASSY	1
	39500	39500-AAC9-900	SENSOR T-MAP	SENSOR T-MAP	1
	90114	90114-GDM4-C01	BOLT FLANGE SH 6*28	BOLT FLANGE SH 6*28	3
	90652	90652-KHE7-900	BAND CONNECTING TUBE	BAND CONNECTING TUBE	1
	93891	93891-05016-06	SCREW WASHER 5* 16	SCREW WASHER 5* 16	1
	93903	93903-25460	SCREW TAPPING 5*20 **93903-25480	SCREW TAPPING 4*12	1

F14

Exhaust Muffler

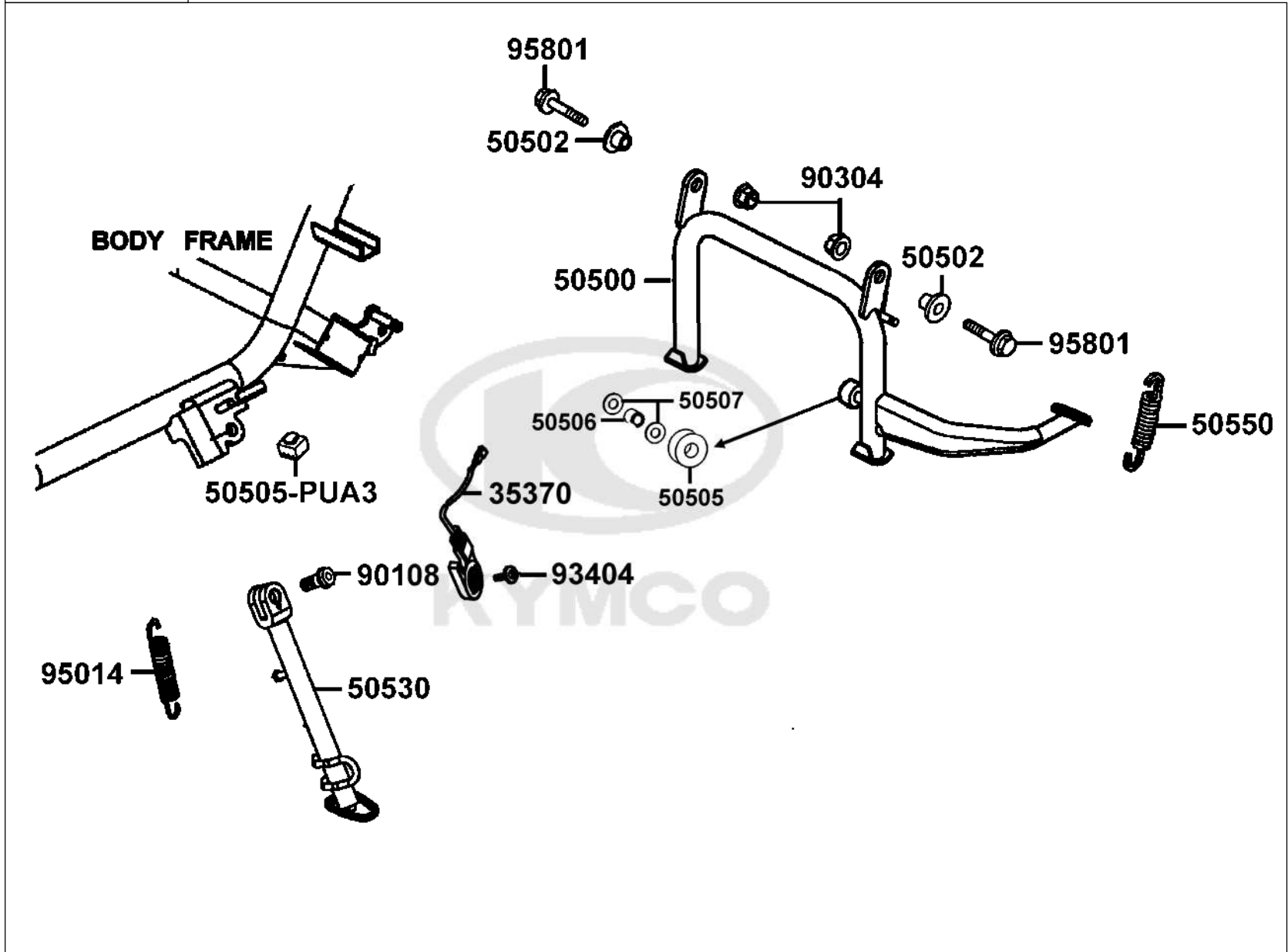


Sales mark	Ref no	Part no	Description	Reg description	Regd no
	18291-LHB3	18291-LHB3-E11	GASKET EXH PIPE	GASKET EXH PIPE	1
	18291	18291-LKG2-C00	COLLAR	COLLAR	5
	18293	18293-KEBE-C00	RUBBER PKG PROTR	RUBBER PKG PROTR	5
	18294	18294-PUA3-B50	PACKING PTOTECTOR	PACKING PROTECTOR	5
**	1830A	1830A-AGE7-EZ5	MUFFLER ASSY EXHAUST	MUFFLER ASSY EXHAUST	1
**	18318	18318-AGE2-E00	PROTECTOR MUFF	PROTECTOR MUFF	1
	1832A	1832A-AGE7-EZ5	PIEP COMP EXH	PIEP COMP EXH	1
	18371	18371-ABD2-C00	BAND MUFFLER	BAND MUFFLER	1
	18391	18391-LDB2-E00	GASKET	GASKET	1
	39450	39450-AEH1-900	O2 SENSOR	O2 SENSOR	1
	90301	90301-GFY6-C01	NUT (HEX) CAP 8MM	NUT (HEX) CAP 8MM	2
	94101	94101-LEA2-C00	"WASHER PLAIN.6.5X18X1.5"	"WASHER PLAIN.6.5X18X1.5"	5
	95801-10045	95801-10045-07G	BOLT FLANGE 10*45 (G)	BOLT FLANGE 10*45 (G)	2
	95801-10057	95801-10057-07G	BOLT FLANGE 10*57 (G)	BOLT FLANGE 10*57 (G)	1
	96600-ABD2	96600-ABD2-E00	SOCKET BOLT6*22	SOCKET BOLT6*22	1
	96600-AGE7	96600-AGE7-C00	SOCKET BOLT	SOCKET BOLT	3

F14

F15

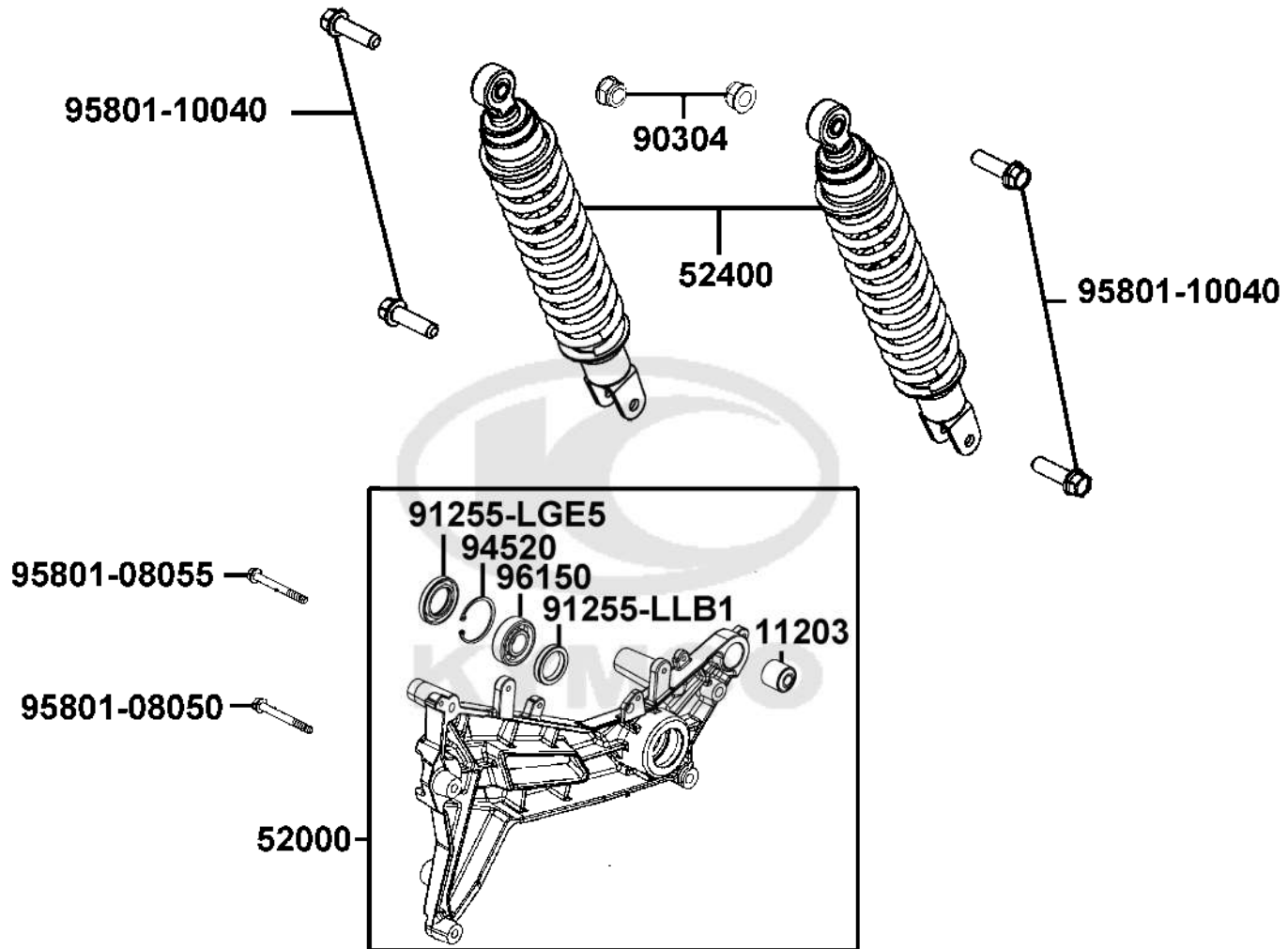
Stand Kick Starter Arm



Sales mark	Ref no	Part no	Description	Reg description	Regd no
	35370	35370-LLJ3-E00	SW UNIT SIDE STAND	SW UNIT SIDE STAND	1
	50500	50500-AGE7-C01	STAND COMP MAIN	STAND COMP MAIN	1
	50502	50502-LDF7-C00	COLLAR,MAIN STAND	COLLAR MAIN STAND	2
#	50505	50505-AEF6-C00	STOPPER RUBBER	STOPPER RUBBER	1
	50505-PUA3	50505-PUA3-B50	STOPPER RUBBER	STOPPER RUBBER	1
#	50506	50506-AEF6-C00	COLLAR STOPPER RUBBER	COLLAR STOPPER RUBBER	1
	50506	50506-KHE7-E00	COLLAR STOPPER RUBBER	COLLAR STOPPER RUBBER	1
#	50507	50507-AEF6-C00	WASHER PLAIN	WASHER PLAIN	2
	50530	50530-AGE7-C00	SIDE STAND COMP	SIDE STAND COMP	1
	50550	50550-KKC2-C00	SPG ASSY MAIN STAND	SPG ASSY MAIN STAND	1
	90108	90108-KKC4-900	SCREW SIDE STAND PIVOT	SCREW SIDE STAND PIVOT	1
	90304	90304-LEA1-C01	NUT U FLANGE 10MM (G)	NUT U FLANGE 10MM (G)	1
	93404	93404-06016-08G	BOLT WASHER 6*16	BOLT WASHER 6*16	1
	95014	95014-72204-G	"SPG B1,SIDE STAND (G)"	"SPG B1,SIDE STAND (G)"	1
	95801	95801-10030-07G	BOLT FLANGE 10*30 (G)	BOLT FLANGE 10*30 (G)	2

F16

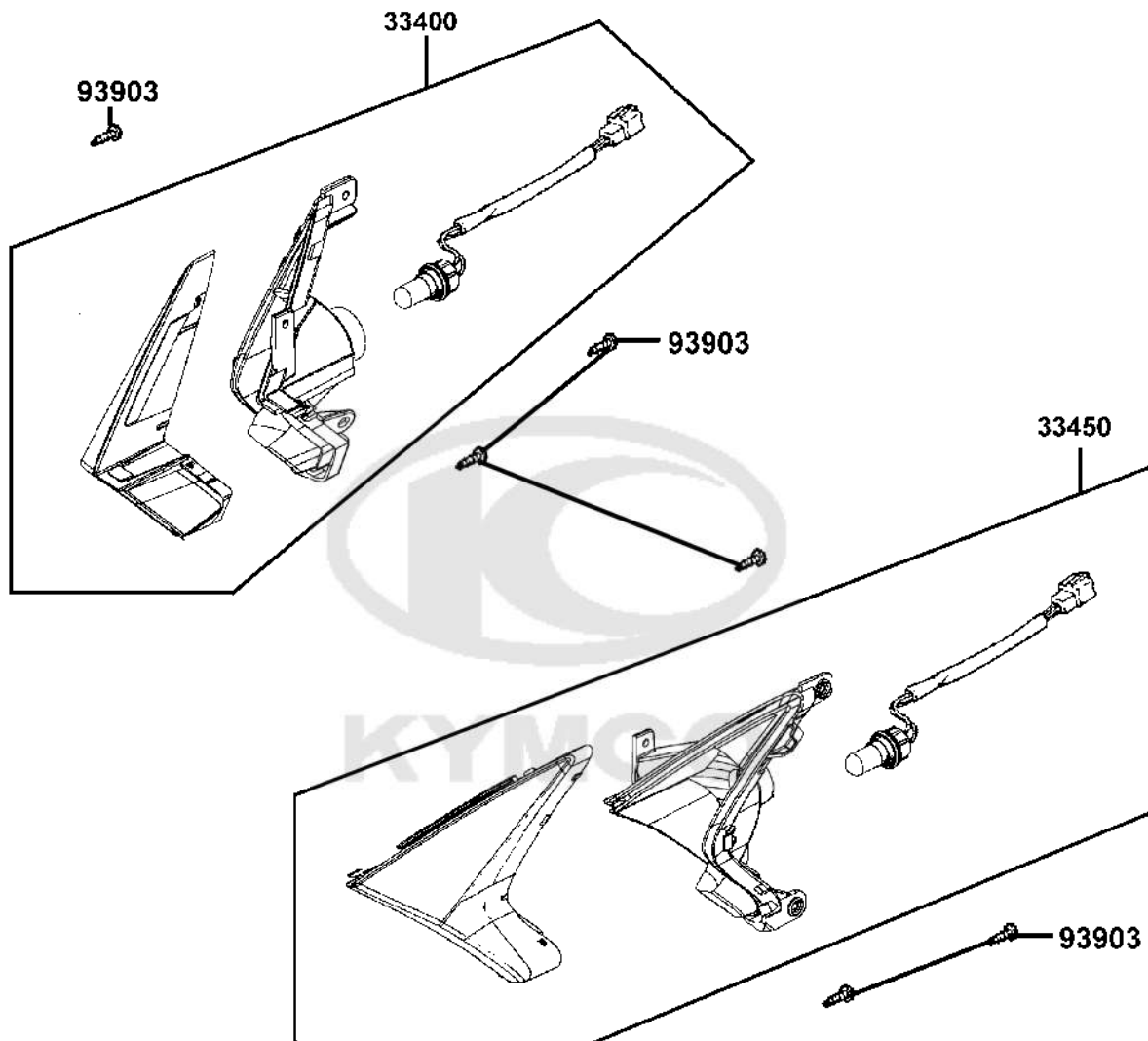
Rear Cushion



Sales mark	Ref no	Part no	Description	Reg description	Regd no
	11203	11203-LBA2-C00	RUB BUSH L CASE	RUB BUSH L CASE	1
	52000	52000-ABD2-C00	FORK ASSY RR	FORK ASSY RR	1
**	52400	52400-AGE8-E60	CUSHION ASSY REAR	CUSHION ASSY REAR	1
	90304	90304-PUA3-B50	NUT U 10MM (C)	NUT U 10MM (C)	2
	91255-LGE5	91255-LGE5-C00	OIL SEAL 30X48X7	OIL SEAL 30X48X7	1
	91255-LLB1	91255-LLB1-C00	OIL SEAL 30*40*7	OIL SEAL 30*40*7	1
	94520	94520-47000	CIR CLIP IN 47	CIR CLIP IN 47	1
	95801-08050	95801-08050-07G	BOLT FLANGE 8*50(G)	BOLT FLANGE 8*50(G)	1
	95801-08055	95801-08055-07G	BOLT FLANGE 8*55	BOLT FLANGE 8*55	1
	95801-10040	95801-10040-08G	BOLT FLANGE 10*40	BOLT FLANGE	4
	96150	96150-62040-10	BEARING BALL RADIAL 6204	BEARING BALL RADIAL 6204	1

F17

Front Winker



Sales mark	Ref no	Part no	Description	Reg description	Regd no
------------	--------	---------	-------------	-----------------	---------

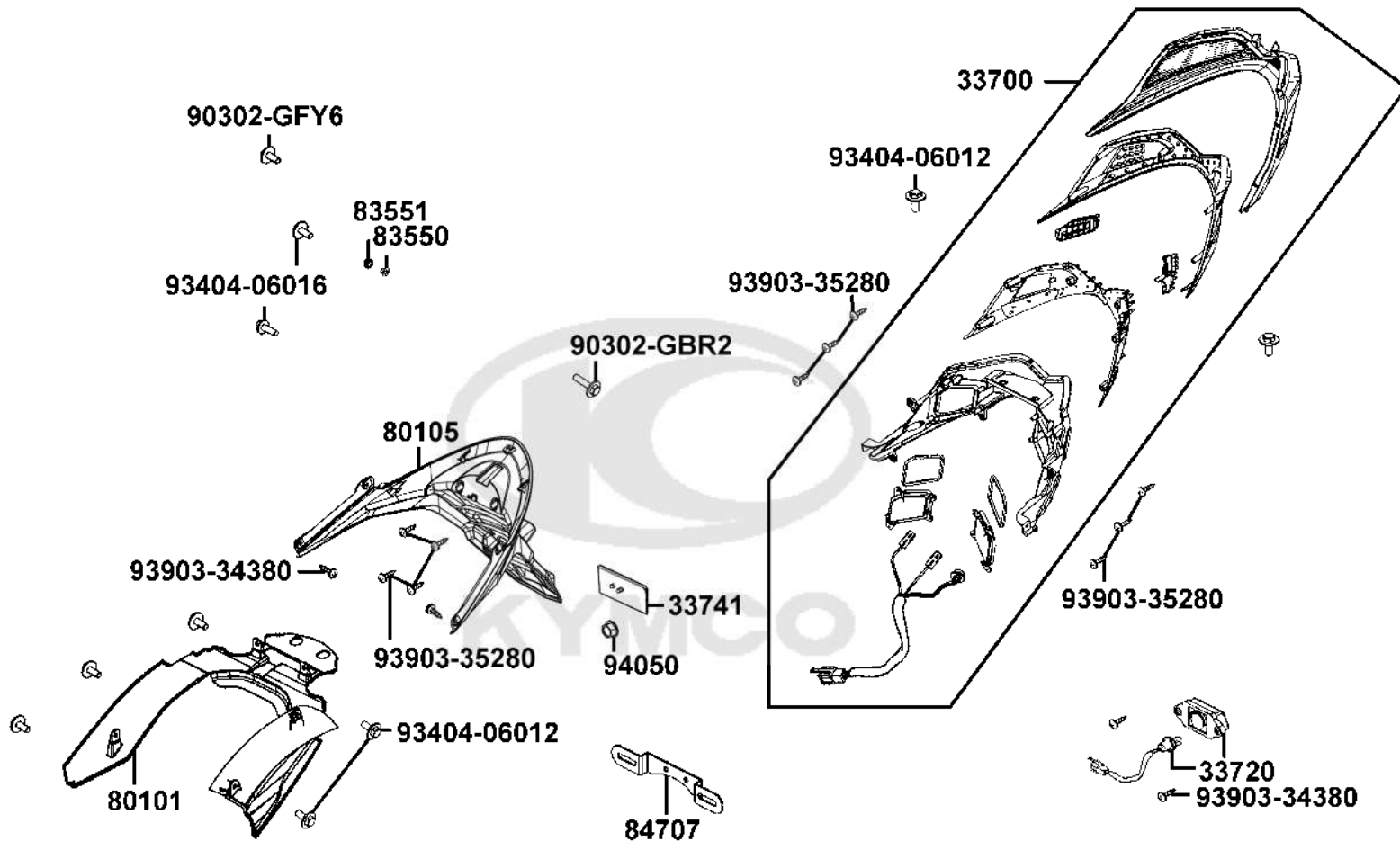
F17

33400		33400-AGE7-C01	WINKER ASSY R FR	WINKER ASSY R FR	1
33450		33450-AGE7-C01	WINKER ASSY L FR	WINKER ASSY L FR	1
93903		93903-35280-G	SCREW TAPPING 5*12 (K)	SCREW TAPPING 5*12 (K)	6



F18

Tail Light

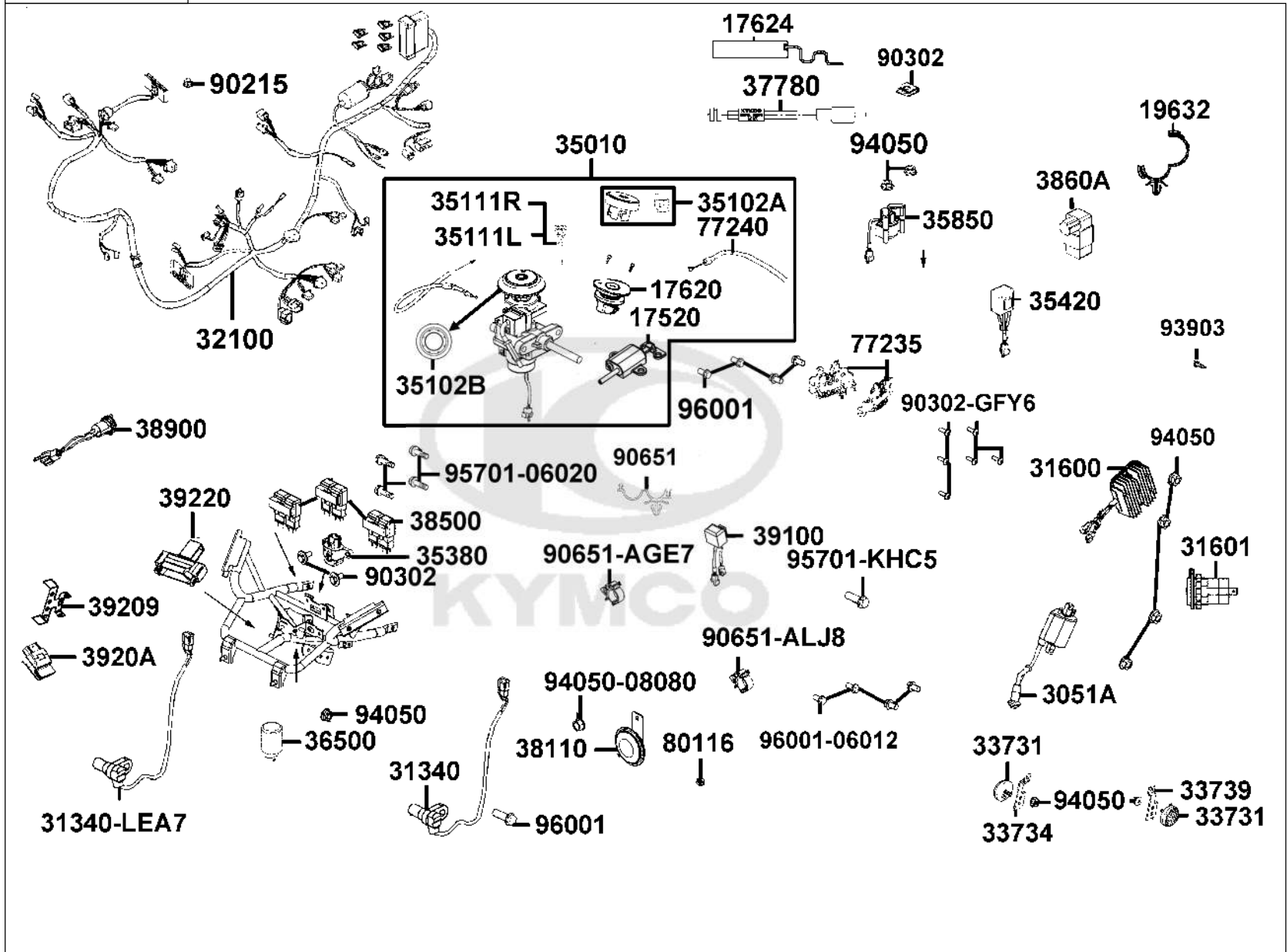


Sales mark	Ref no	Part no	Description	Reg description	Regd no
	33700	33700-AGE7-C00	LIGHT ASSY RR COMB	LIGHT ASSY RR COMB	1
	33720	33720-LGB5-E10	LIGHT ASSY LICENSE	LIGHT ASSY LICENSE	1
	33741	33741-LEH3-EZ0	REFLEX REFLECTOR	REFLEX REFLECTOR	1
**	80101	80101-AGE8-E00	FENDER RR INNER	FENDER RR INNER	1
**	80105	80105-AGE7-C00	FENDER RR UP	FENDER RR UP	1
	83550	83550-KEC8-C00	COLLAR SET METER	COLLAR	1
	83551	83551-KEC8-C10	GROMMET COVER	GROMMET COVER	1
	84707	84707-AGE7-C00	STAY RR LICENSE	STAY RR LICENSE	1
	90302-GBR2	90302-GBR2-C01	BOLT-WASH 5*16	BOLT WASHER 5*16	1
	90302-GFY6	90302-GFY6-C11	BOLT-WASH 5*16	BOLT-WASH 5*16	3
	93404-06012	93404-06012-07G	BOLT WASHER 6*12 (K)	BOLT WASHER 6*12 (K)	5
	93404-06016	93404-06016-07G	BOLT-WASH 6x16	BOLT WASHER 6*16 (KG)	2
	93903-34380	93903-34380-G	SCREW TAPPING 4x12	SCREW TAPPING 4x12	2
	93903-35280	93903-35280-G	SCREW TAPPING 5*12 (K)	SCREW TAPPING 5*12 (K)	11
	94050	94050-05080-G	NUT FLANGE 5MM	NUT FLANGE 5MM	1

F18

F19

Wire Harness

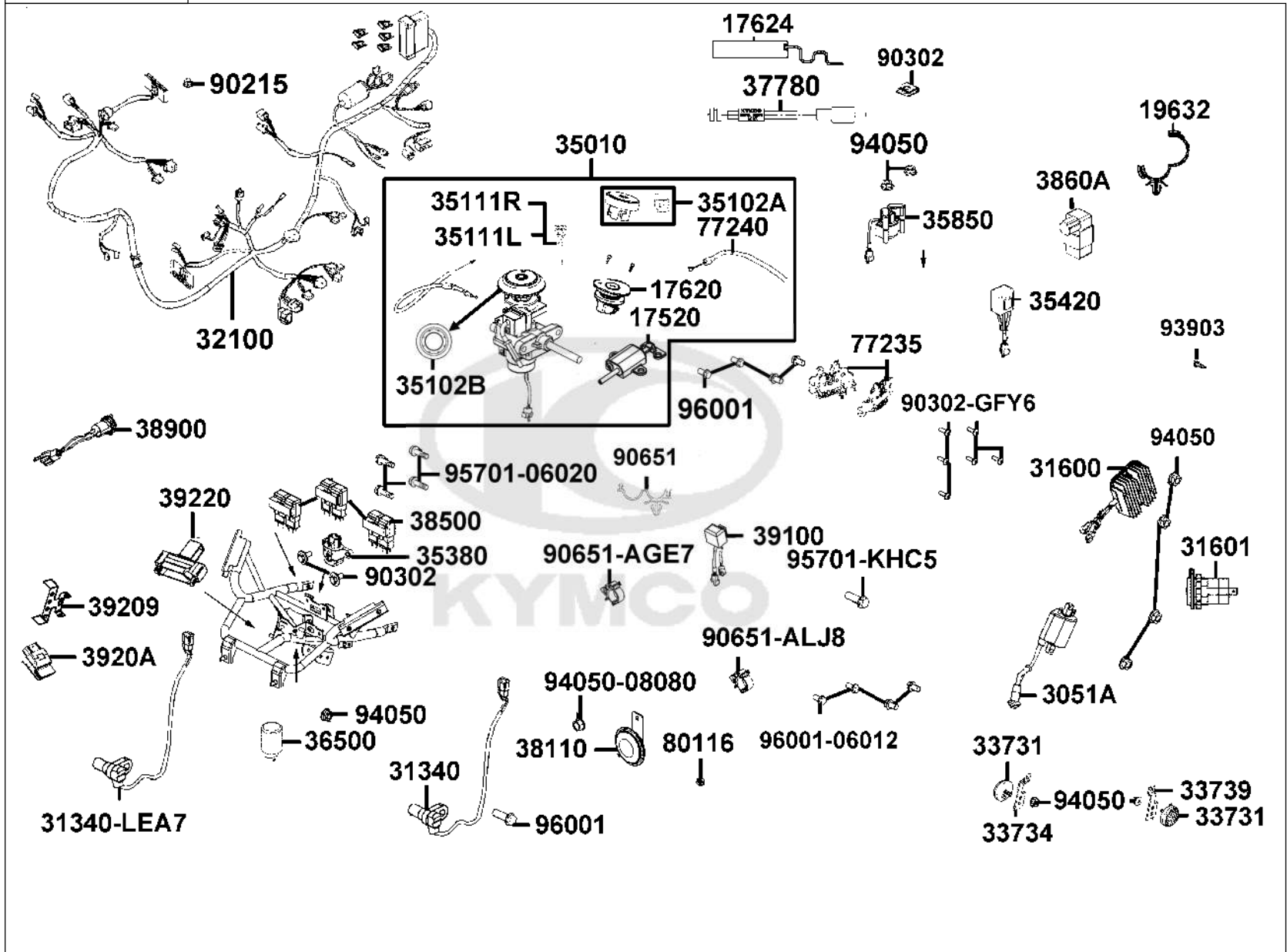


Sales mark	Ref no	Part no	Description	Reg description	Regd no
	17520	17520-AGE7-C00	CABLE COMP FUEL FILLER COVER	CABLE COMP FUEL CAP	1
	17620	17620-LFC3-E15	CAP COMP FUEL FILLER	CAP COMP FUEL FILLER	1
	17624	17624-AGE7-C00	BAND FUEL CAP	BAND FUEL CAP	1
	19632	19632-AGD8-C00	CLIP FUEL HOSE (MATERIL:PLASTIC)	CLIP FUEL HOSE (MATERIL:PLASTIC)	5
	3051A	3051A-AGE7-C00	COIL ASSY IGN	COIL ASSY IGN	1
	31340-LEA7	31340-LEA7-E00	SENSOR FR WHEEL SPEED	SENSOR FR WHEEL SPEED	1
	31340	31340-LFH1-E00	SENSOR RR WHEEL SPEED	SENSOR RR WHEEL SPEED	1
	31600	31600-AGE7-C00	REG RECT COMP	REG RECT COMP	1
	31601	31601-AEF6-C00	SOCKET COMP. DC 12V	SOCKET COMP. DC 12V	1
	32100	32100-AGE7-EZ5	HARNESS WIRE	HARNESS WIRE	1
	33731	33731-GFY6-EZ0	REFLEX REFLECTOR SIDE	REFLEX REFLECTOR SIDE	2
	33734	33734-ABD2-C00	STAY RH.REFELX REFLECTOR	STAY RH.REFELX REFLECTOR	1
	33739	33739-ABD2-C00	STAY LH. REFELX REFLECTOR	STAY LH. REFELX REFLECTOR	1
	35010	35010-AGE7-C00	KEY SET	KEY SET	1
	35102A	35102-ALL1-C00	SHUTTER SET MAGNETIC LOCK	SHUTTER SET MAGNETIC LOCK	1
	35102B	35102-LEB1-90A	COLLAR MAIN SW	COLLAR MAIN SW	1
	35111R	35111-LDC1-305	KEY COMP (R TANGENT PLANE/SD)	KEY COMP (R TANGENT PLANE/SD)	1
	35111L	35111-LDC1-306	KEY COMP (L TANGENT PLANE/SD)	KEY COMP (L TANGENT PLANE/SD)	1
#	35380	35380-ABE1-C00	SENSOR ANGLE	SENSOR ANGLE	1
	35420	35420-LFH1-E00	CONTROLLER OIL LAMP	CONTROLLER OIL LAMP	1

F19

F19

Wire Harness

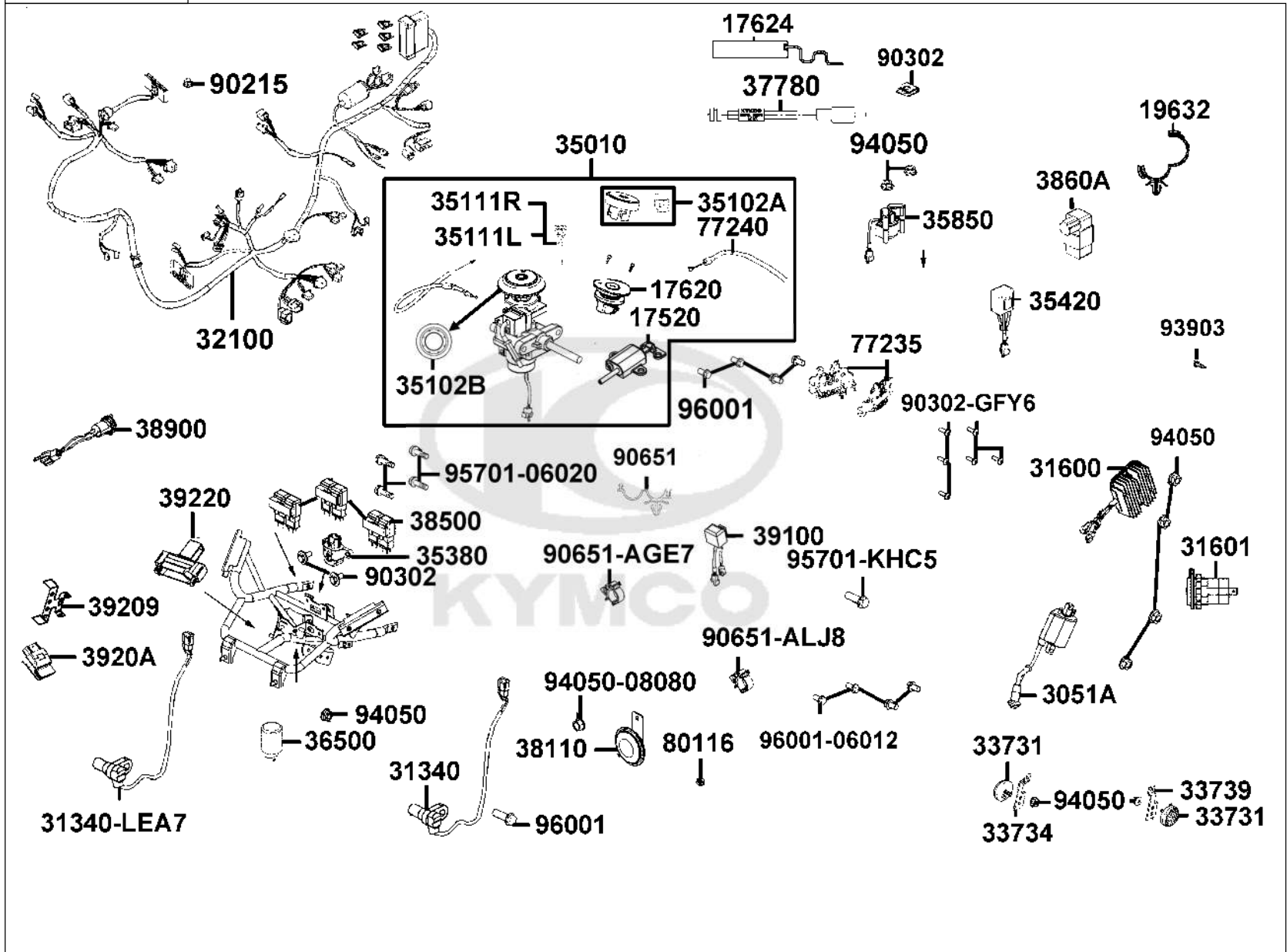


Sales mark	Ref no	Part no	Description	Reg description	Regd no
	35850	35850-LCA3-B50	SET START MAG	SET START MAG	1
	36500	36500-AGE7-C00	CONTROLLER ASSY WINKER	CONTROLLER ASSY WINKER	1
	37780	37780-ACD5-E00	SENSOR ASSY. ROOM TEMP	SENSOR ASSY. ROOM TEMP	1
	38110	38110-KFAF-90B	HORN COMP	HORN COMP	1
	38500	38500-AAD2-C00	RELAY ASSY LIGHT	RELAY ASSY LIGHT	3
	3860A	3860A-AEH2-M40	CONTROL ASSY LIGHTING	CONTROL ASSY LIGHTING	1
	38900	38900-AGE7-C00	SOCKET	SOCKET	1
	39100	39100-ABD6-C00	EMI FILTER FAN MOTOR	EMI FILTER FAN MOTOR	1
	39209	39209-AGE7-EZ5	STAY ECU	STAY ECU	1
	3920A	3920A-AGE7-EZ5	ECU ASS Y	ECU ASS Y	1
	39220	39220-ABD2-EZ5	CUSHION CASE ECU	INJECTOR,ASSYMP	1
	77235	77235-LEA1-C00	CATCH COMP. SEAT.	CATCH COMP. SEAT.	1
	77240	77240-AGE7-C00	CABLE COMP SEAT LOCK	CABLE COMP SEAT LOCK	1
	80116	80116-ACC1-E10	RUBBER LICENSE PLATE STOP	RUBBER LICENSE PLATE STOP	1
	90215	90215-KKC4-C00	NUT CAP 6MM	NUT CAP 6MM	1
	90302-GFY6	90302-GFY6-C11	BOLT-WASH 5*16	BOLT-WASH 5*16	2
	90302	90302-SDA4-C01	"NUT,SPPING 4MM"	"NUT,SPPING 4MM"	2
	90651	90651-AGD8-C00	CLIP MUDGUAR (MATERIL:PLASTIC)	CLIP MUDGUAR (MATERIL:PLASTIC)	3
	90651-AGE7	90651-AGE7-C00	CLIP CABLE	CLIP CABLE	1
	90651-ALJ8	90651-ALJ8-E10	CLIP CABLE	CLIP CABLE	1

F19

F19

Wire Harness

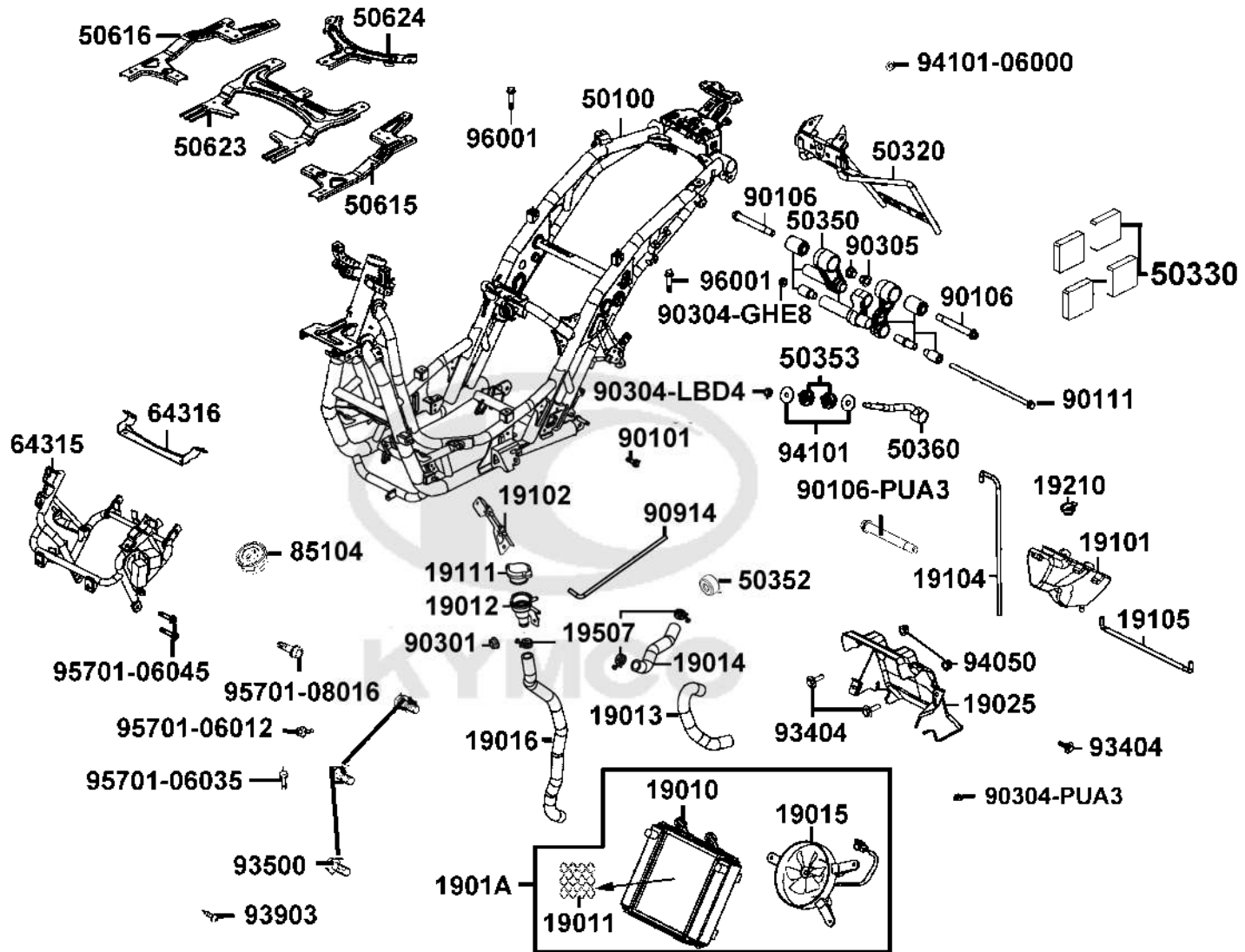


Sales mark	Ref no	Part no	Description	Reg description	Regd no
	93903	93903-GFY6-C01	SCREW TAPPING 4*14(K)	SCREW TAPPING 4*14	2
	94050	94050-06070-G	NUT FLANGE 6MM (KG)	NUT FLANGE 6MM (G)	8
	94050-08080	94050-08080-G	NUT FLANGE 8MM	NUT FLANGE 8MM	1
	95701-06020	95701-06020-07G	BOLT FLANGE 6*20 (C)	BOLT FLANGE 6*20 (K)	6
	95701-KHC5	95701-KHC5-C00	BOLT FLANGE 8*20	BOLT FLANGE 8*20	2
	96001-06012	96001-06012-07G	BOLT FLANGE 6*12(G)	BOLT FLANGE 6*12(G)	2
	96001	96001-06012-08G	BOLT FLANGE SH 6X12 (C)	BOLT FLANGE SH 6X12 (C)	5



F20

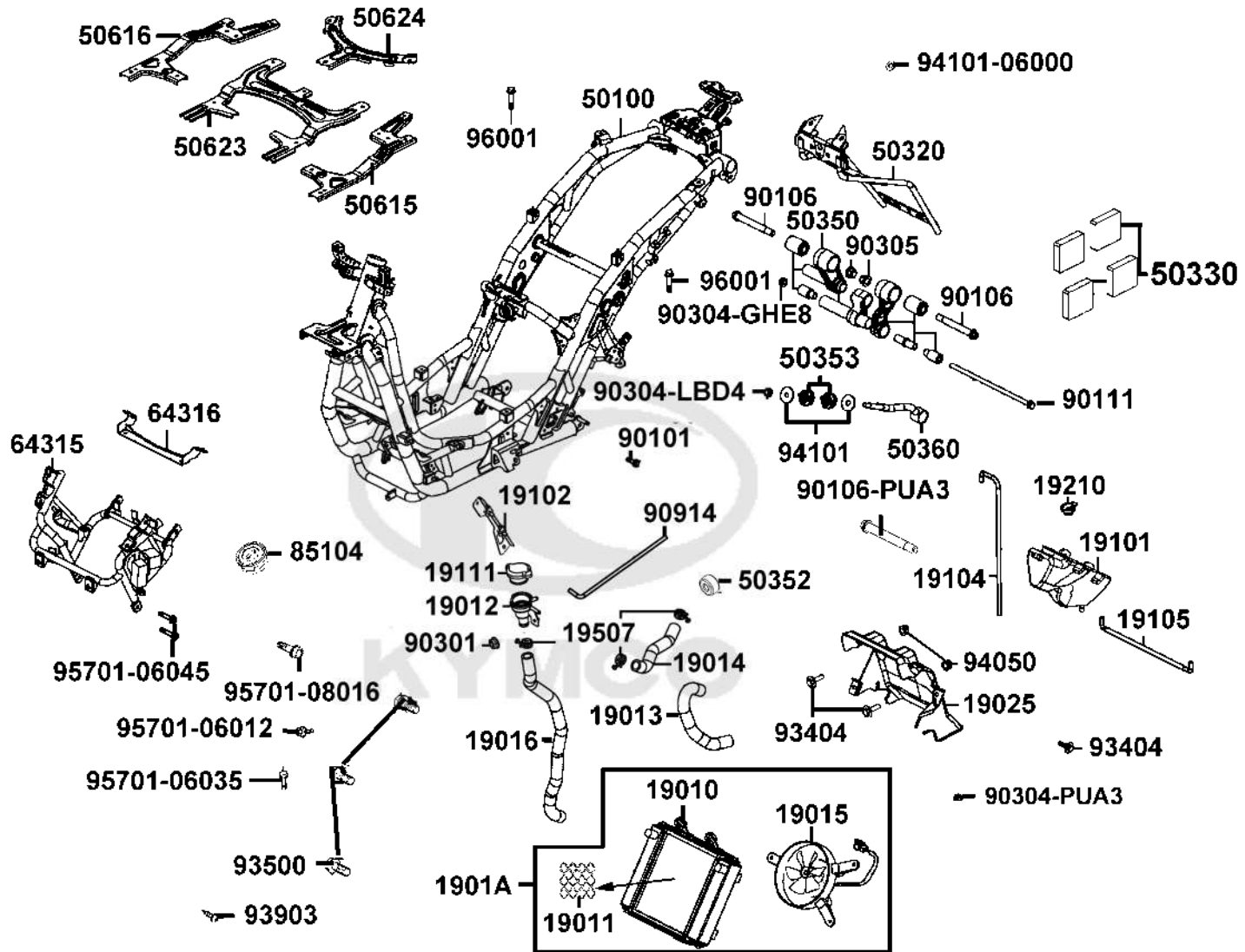
Frame Body



Sales mark	Ref no	Part no	Description	Reg description	Regd no	F20
	19010	19010-AGE7-C00	RADIATOR COMP	RADIATOR COMP	1	
	19011	19011-AGE7-C00	ET ASSY RADIATOR	NET ASSY. RADIATOR	1	
	19012	19012-KHD8-C00	UNIT RADIATOR	UNIT RADIATOR	1	
	19013	19013-AGE7-C00	HOSE WATER INLET	HOSE WATER INLET	1	
	19014	19014-AGE7-C00	TUBE ASSY WATER	TUBE ASSY WATER	1	
	19015	19015-AGE7-C00	SHROUD ASSY	SHROUD ASSY	1	
	19016	19016-AGE7-C00	HOSE WATER UNIT CAP	HOSE WATER UNIT CAP	1	
	1901A	1901A-AGE7-C00	RADIATOR COMP	RADIATOR COMP	1	
**	19025	19025-AGE7-C00	COVER RADIATOR	COVER RADIATOR	1	
	19101	19101-AGE7-C00	TANK RESERVE	TANK RESERVE	1	
	19102	19102-AGE7-C00	STAY RES TANK	STAY RES TANK	1	
	19104	19104-AEF6-C00	HOSE ASSY DRAIN	HOSE ASSY DRAIN	1	
	19105	19105-AEF6-C00	HOSE ASSY RESERVE TANK-PRESSURE	HOSE ASSY RESERVE TANK-PRESSURE	1	
	19111	19111-PRB3-C00	SUPT FILLER NECK	SUPT FILLER NECK	1	
	19210	19210-ABD6-C00	CAP RESERVE TANK	CAP RESERVE TANK	1	
	19507	19507-ABD6-C00	"CLAMP. D28"	"CLAMP. D28"	6	
	50100	50100-AGD8-EZ5	BODY COMP FRAME	BODY COMP FRAME	1	
	50320	50320-AGE7-C00	STAY REAR FENDER	STAY REAR FENDER	1	
	50330	50330-ALK5-C00	SEAL BATTER FRONT	SEAL BATTER FRONT	2	
	50350	50350-ABD2-C01	ENG HANGER COMP	ENG HANGER COMP	1	

F20

Frame Body

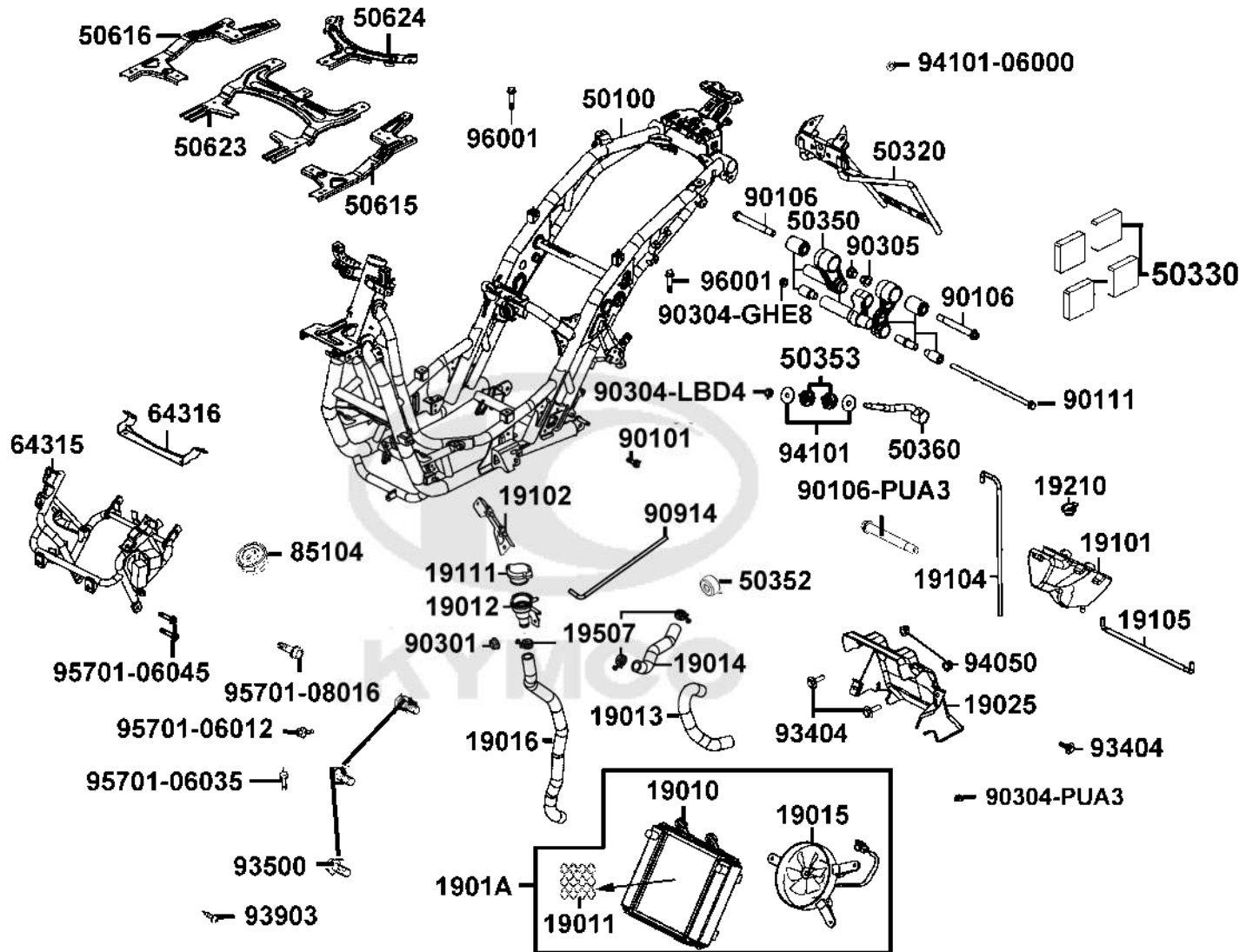


Sales mark	Ref no	Part no	Description	Reg description	Regd no
	50352	50352-LBA2-E00	RUBBER STOPPER	RUBBER STOPPER	1
	50353	50353-LEA7-E00	RUBBER STOPPER	RUBBER STOPPER	1
	50360	50360-AGE7-C00	TIRE ROD ENG HANGER	TIRE ROD ENG HANGER	1
	50615	50615-AGE7-C00	STAY R FLOOR PANEL	STAY R FLOOR PANEL	1
	50616	50616-AGE7-C00	STAY L FLOOR PANEL	STAY L FLOOR PANEL	1
	50623	50623-AGE7-C00	STAY A FLOOR PANEL	STAY A FLOOR PANEL	1
	50624	50624-AGE7-C00	STAY B FLOOR PANEL	STAY B FLOOR PANEL	1
	64315	64315-AGE7-C00	BRKT FR COVER	BRKT FR COVER	1
	64316	64316-AGE7-C00	STAY ANGLE DETECT SENSOR	STAY ANGLE DETECT SENSOR	1
	85104	85104-AGE7-C00	STOPPER	STOPPER	2
	90101	90101-LKF5-C01	SCREW FLAT 10*275	BOLT FLANGE 10*275	1
	90106	90106-LKF5-C01	DAMPING ENG HANGER	DAMPING ENG HANGER	2
	90106-PUA3	90106-PUA3-B50	BOLT FLANGE 10*50	BOLT FLANGE 10*50	1
	90111	90111-06016-07G	BOLT FLANGE 6*16 (K)	BOLT FLANGE 6*16 (K)	4
	90301	90301-6D34-C01	NUT FLANGE 6MM(C)	NUT FLANGE 6MM	1
	90304-GHE8	90304-GHE8-C01	NUT U 10MM (C)	NUT U 10MM (C)	1
	90304-LBD4	90304-LBD4-C01	NUT U FLANGE 10MM	NUT U FLANGE 10MM	1
	90304-PUA3	90304-PUA3-B50	NUT U 10MM (C)	NUT U 10MM (C)	1
	90305	90305-MAA1-C01	U NUT FLANGE 14MM	U NUT FLANGE 14MM	2
	90914	90914-AGE7-C00	TUBE ASSY. WATER	TUBE ASSY. WATER	1

F20

F20

Frame Body

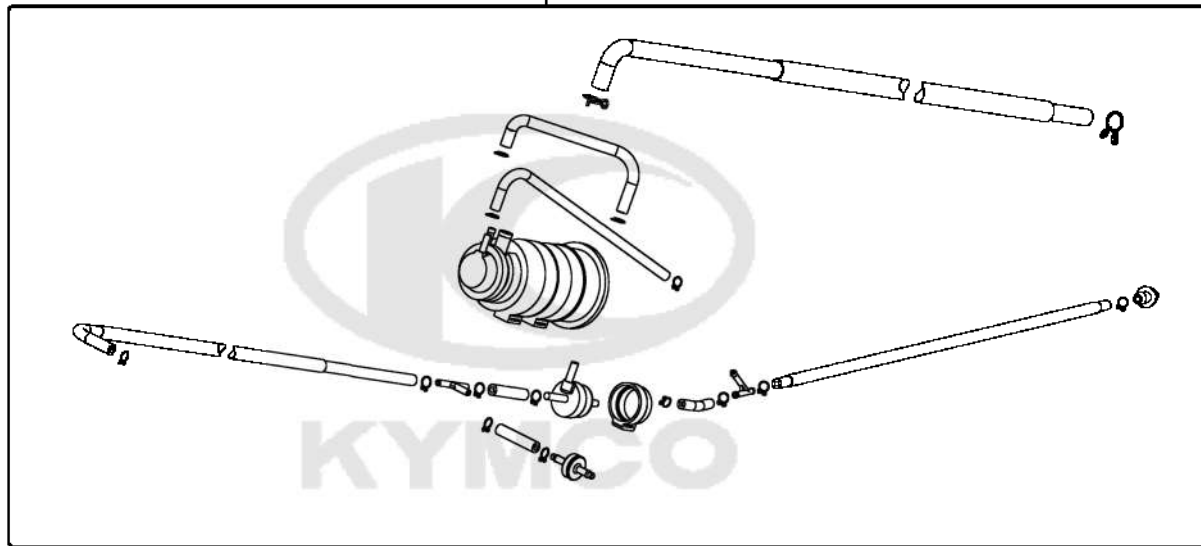


Sales mark	Ref no	Part no	Description	Reg description	Regd no	F20
93404		93404-06025-07G	BOLT WASHER 6*25 (G)	BOLT WASHER 6*25 (G)	2	
93500		93500-06012-0B	SCREW PAN 6*12 (Cr)	SCREW PAN 6*12 (Cr)	2	
93903		93903-35280-G	SCREW TAPPING 5*12 (K)	SCREW TAPPING 5*12 (K)	3	
94050		94050-06070-G	NUT FLANGE 6MM (KG)	NUT FLANGE 6MM (G)	11	
94101-06000		94101-06000-G	WASHER PLAIN 6.5*18*1	WASHER PLAIN 6.5*18*1	2	
94101		94101-LBA2-C01	WASHER PLAIN 10.5*38*3	WASHER PLAIN 10.5*38*3	1	
95701-06012		95701-06012-07G	BOLT FLANGE 6X12(KG)	BOLT FLANGE 6*12 (G)	13	
95701-06035		95701-06035-07G	BOLT FLANGE 6*35 (K)	BOLT FLANGE 6*35 (K)	4	
95701-06045		95701-06045-07G	BOLT FLANGE 6*45(G)	BOLT FLANGE 6*45(G)	2	
95701-08016		95701-08016-07G	BOLT FLANGE 8*16 (K)	BOLT FLANGE 8*16 (K)	4	
96001		96001-06032-07G	BOLT FLANGE SH6*32	BOLT FLANGE 6*32(G)	4	

F21

Air Cleaner Two

17300



Sales mark	Ref no	Part no	Description	Reg description	Regd no
------------	--------	---------	-------------	-----------------	---------

F21

17300	17300-AGE7-C00	CANISTER-PCV ASSY	CANISTER-PCV ASSY		1
-------	----------------	-------------------	-------------------	--	---



X-TOWN

86202

KYMCO

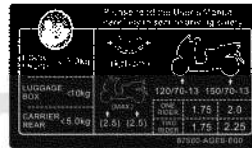
87160

CTE300

86140



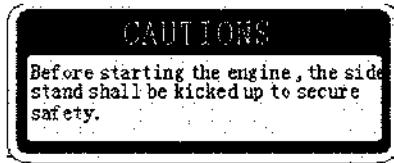
86020



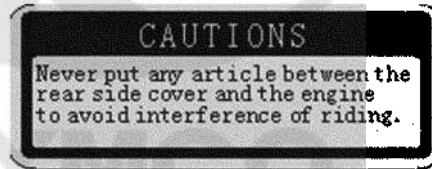
87560



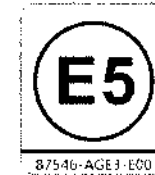
87512



87541



87542



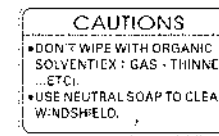
87546



86021

ABS

86524



87508

Sales mark	Ref no	Part no	Description	Reg description	Regd no
**	86020	86020-AGD8-C00	EMB DMA STRIDER	EMB DMA STRIDER	1
**	86021	86021-AGD8-C00	EMB B HANDLE COVER	EMB B HANDLE COVER	1
**	86140	86140-AGE7-C00	STRIPE FR COVER	STRIPE FR COVER	2
**	86202	86202-AGE8-E00	EMB BODY COVER	EMB BODY COVER	2
**	86524	86524-ABD2-C00	EMB R FR FENDER	EMB R FR FENDER	2
**	87160	87160-AAC7-E60	STRIPE KYMCO MARK	STRIPE KYMCO MARK	2
**	87508	87508-ABD2-E00	CAUTION FEDERAL LAW	CAUTION FEDERAL LAW	1
**	87512	87512-ABD2-E00	CAUTION LIST	CAUTION LIST	1
**	87541	87541-GAR1-C01	CAUTION SIDE STAND	CAUTION SIDE STAND	1
**	87542	87542-GAR1-C01	MARK MAINT CAUTION R	MARK MAINT CAUTION R	1
**	87546	87546-AGE3-E00	LABEL FUEL TANK	LABEL FUEL TANK	1
**	87560	87560-AGE8-E00	MARK DRIVE CAUTION	MARK DRIVE CAUTION	1

F22



PART NO. INDEX

PART NO.	VERSION	PAGE	PART NO.	VERSION	PAGE	PART NO.	VERSION	PAGE
			11203-LBA2-C00	0	F16	13011-LFG2-C00	0	E03
0000			1122A-ABD2-C00	0	E07	13101-LHG7-C00	0	E03
			11331-LLJ3-C00	0	E04	13111-LDB2-C00	0	E03
0901-880-6000	1	E08	11341-ABD2-C00	0	E01	13406-ABD2-C00	0	E02
0901-911-6000	1	E08	11342-LDF2-C00	0	E01			
0901-914-6001	1	E08	11345-LEA7-C00	1	E01	14000		
			11346-GFY6-C00	1	E01			
1000			11350-LHG7-C00	0	E01	14100-ABD2-900	0	E02
			11387-ABD2-C00	0	E02	14401-LDE9-E00	0	E03
1090-873-2001	1	E08	11394-KHE7-980	0	E04	1443A-ABD2-C00	0	E02
1190-C74-2000	1	E08	11395-LLJ3-C00	0	E01	14450-KEBE-900	0	E02
1190-C75-2000	1	E08				14452-LDB2-E00	0	E02
1614-868-0000-S	0	E08	12000			14510-LDE9-C00	0	E03
1614-906-0002	1	E08				14520-GFY6-90C	2	E03
			12100-ABD2-C00	0	E03	14523-KED9-C00	1	E03
3000			12191-KHE7-910	0	E03	14531-KHE7-900	1	E03
			12200-ABD2-C00	0	E02	14610-LDE9-C00	0	E03
3700-A35B-0110	0	E08	12209-GDB4-C00	2	E02	14711-LFG2-C00	0	E02
			1221A-ABD2-C00	0	E02	14721-LFG2-C00	0	E02
11000			12251-KHE7-901	0	E02	14751-ABD2-C00	0	E02
			1231A-LDE9-C00	0	E02	14761-ABD2-C00	0	E02
11100-LDB2-C00	0	E01	12361-LHD1-C00	0	E04	14771-GDB4-C00	2	E02
11110-LLJ3-C00	0	E01				14775-MFA6-C00	5	E02
11192-KHE7-980	0	E01	13000			14781-MFA6-C00	4	E02
11200-ABD2-C00	0	E01						
11203-LBA2-C00	0	E01	13000-AGE2-E00	0	E03			

PART NO. INDEX

PART NO.	VERSION	PAGE	PART NO.	VERSION	PAGE	PART NO.	VERSION	PAGE
15000			1723B-ABD2-C00	0	F13	18391-LDB2-E00	1	F14
			17300-AGE7-C00	0	F21	19000		
15100-KKC3-C00	0	E06	1737A-ABD2-C00	0	F13			
15133-KAM1-C00	0	E06	17500-AGD8-C00	0	F10	19010-AGE7-C00	0	F20
15141-KKJ9-C00	0	E06	17502-AGE7-C00	0	F10	19011-AGE7-C00	0	F20
15421-1G07-C00	1	E04	17520-AGE7-C00	0	F19	19012-KHD8-C00	0	F20
15426-GAE1-C00	1	E04	17550-AGE7-C00	0	F10	19013-AGE7-C00	0	F20
15441-1K49-001	0	E03	17561-LKB9-900	1	F10	19014-AGE7-C00	0	F20
15447-1K49-C00	0	E03	17581-LEA7-C00	0	F10	19015-AGE7-C00	0	F20
15651-KEBE-C00	0	E04	17600-AGE7-C00	0	F10	19016-AGE7-C00	0	F20
15711-KHE7-C00	0	E06	17620-LFC3-E15	0	F19	1901A-AGE7-C00	0	F20
16000			17624-AGE7-C00	0	F19	19025-AGE7-C00	0	F20
			17685-AGE7-C00	0	F10	19101-AGE7-C00	0	F20
1610K-LHG7-900	0	E08	17910-AGD8-C00	0	F03	19102-AGE7-C00	0	F20
16201-LHG7-E00	0	E02	17911-AGD8-C00	0	F03	19104-AEF6-C00	0	F20
16211-LDF2-C00	0	E02	18000			19105-AEF6-C00	0	F20
17000			18291-LHB3-E11	0	F14	19111-PRB3-C00	0	F20
			18291-LKG2-C00	0	F14	19210-ABD6-C00	0	F20
1711A-LDF2-C00	0	E02	18293-KEBE-C00	1	F14	19215-KHE7-C00	0	E04
17200-AGE7-EZ5	0	F13	18294-PUA3-B50	1	F14	19217-ZPA3-E00	0	E04
17214-ABD2-C00	0	F13	1830A-AGE7-EZ5	0	F14	19229-LBA7-900	0	E04
1721A-ABD2-C00	0	F13	18318-AGE2-E00	0	F14	1922A-KHE7-C00	0	E04
1723A-ABD2-EZ5	0	F13	1832A-AGE7-EZ5	0	F14	19231-KKJ9-C00	0	E04
			18371-ABD2-C00	0	F14	19300-LFA7-E0B	2	E02
						19310-ABD2-E00	0	E02

PART NO. INDEX

PART NO.	VERSION	PAGE	PART NO.	VERSION	PAGE	PART NO.	VERSION	PAGE
19315-LHG7-E00	0	E02	22530-KHE7-C00	0	E05			
19411-KBCB-900	1	F10	22804-GBB2-C00	0	E05	30000		
19411-LFG2-C00	0	F06						
19502-KHE7-C00	0	E04	23000			3051A-AGE7-C00	0	F19
19507-ABD6-C00	0	E04						
19507-ABD6-C00	0	F20	2301A-LFG2-C00	1	E05	31000		
19632-AGD8-C00	0	F19	23100-LFG2-C00	0	E05			
			23100-LFG2-C0A	0	E05	31100-ABD2-EZ5	0	E06
21000			23200-KHE7-C00	1	E05	31110-ABD2-EZ5	0	E06
			23220-LFG2-C00	1	E05	31120-ABD2-C00	0	E06
21200-LDB2-C00	0	E07	23225-KHE7-C00	1	E05	31200-AGE7-C00	0	E06
21395-LDF2-900	0	E07	23226-GHC8-C00	1	E05	31340-LEA7-E00	3	F19
			23233-KHE7-C00	1	E05	31340-LFH1-E00	1	F19
22000			23237-KHE7-C00	1	E05	31500-KHE7-EZ0	1	F11
			23238-KHE7-C00	1	E05	31600-AGE7-C00	0	F19
22101-LBA7-C00	1	E05	23411-ABD2-C00	0	E07	31601-AEF6-C00	0	F19
22102-KHE7-C00	0	E05	23420-ABD2-C00	0	E07			
22105-LBA7-C00	0	E05	23430-LDB2-C00	0	E07	32000		
22110-LFG1-C00	0	E05	23432-ABD2-C00	0	E07			
22121-LFG2-315	0	E05				32100-AGE7-EZ5	0	F19
22131-LBA7-C00	0	E05	28000			32105-LLJ3-C00	0	E04
22132-KHE7-305	0	E05				32411-AGE7-C00	0	F11
22300-LFG2-C00	0	E05	28101-KHE7-C00	0	E06	32412-AGE7-C00	0	E04
22350-KHE7-C00	1	E05	28102-KHE7-C00	1	E06	32413-AGE7-C00	0	F11
22361-LEA7-C00	1	E05	28110-LDB2-C00	0	E06	3270A-AGE7-C00	0	F11
22401-LFG2-C00	1	E05	28120-LDB2-C00	0	E06			

PART NO. INDEX

PART NO.	VERSION	PAGE	PART NO.	VERSION	PAGE	PART NO.	VERSION	PAGE
33000			35350-AEF6-C00	0	F04	39000		
33100-AGD8-C00	0	F01	35370-LLJ3-E00	3	F15	39100-ABD6-C00	0	F19
33400-AGE7-C01	0	F17	35380-ABE1-C00	0	F19	39209-AGE7-EZ5	0	F19
33450-AGE7-C01	0	F17	35390-LHG7-E00	4	F12	3920A-AGE7-EZ5	0	F19
33700-AGE7-C00	0	F18	35420-LFH1-E00	0	F19	39220-ABD2-EZ5	0	F19
33720-LGB5-E10	1	F18	35500-KED9-900	6	E04	39300-LHG7-E00	0	E02
33731-GFY6-EZ0	0	F19	35850-LCA3-B50	0	F19	39301-LDF2-C00	0	E02
33734-ABD2-C00	0	F19	36000			39400-LDF2-800	2	E02
33739-ABD2-C00	0	F19	36500-AGE7-C00	0	F19	39450-AEH1-900	2	F14
33741-LEH3-EZ0	1	F18	37000			39500-AAC9-900	1	F13
33900-LHG7-E00	0	F12	37200-AGE7-EZ5	0	F02	42000		
33902-LHG7-E00	1	F12	37211-ABD2-C00	0	F02	42311-ABD2-C00	0	F08
33903-LHG7-E00	0	F12	37236-ABD2-E00	0	F02	42312-LEA7-C00	0	F08
35000			37780-ACD5-E00	1	F19	42601-AGE7-C00	0	F08
35010-AGE7-C00	0	F19	3780A-AGE7-C00	0	F10	42710-AGE7-E60	0	F08
35102-ALL1-C00	0	F19	38000			43000		
35102-LEB1-90A	0	F19	38110-KFAF-90B	2	F19	43100-LGE5-C01	0	F04
35111-LDC1-305	0	F19	38500-AAD2-C00	5	F19	43105-LGE5-406	0	F04
35111-LDC1-306	0	F19	3860A-AEH2-M40	0	F19	43126-AGE7-C00	0	F04
3515A-ACJ1-E00	1	F03	38900-AGE7-C00	0	F19	43127-AGE7-C00	0	F04
3520A-ABD2-C00	0	F03						
35340-AEF6-C00	0	F04						

PART NO. INDEX

PART NO.	VERSION	PAGE	PART NO.	VERSION	PAGE	PART NO.	VERSION	PAGE	
43156-LDB2-C00	0	F04	45109-LGE5-C00	0	F04	50000			
43210-LGE5-C00	0	F04	45126-AGE7-C00	0	F04				
43351-ABD2-C00	0	F08	45127-AGE7-C00	0	F04				
43352-KKD6-C00	0	F04	45128-ABD2-C00	0	F06		50100-AGD8-EZ5	0	F20
43352-LEA7-E01	0	F08	4512A-LEA7-C01	1	F07		50306-1F96-C00	1	F06
43353-4A61-C00	0	F04	45130-LGE5-C00	0	F04		50320-AGE7-C00	0	F20
43353-KED9-C00	0	F04	45131-LGE5-C00	0	F04		5032A-AGE7-C00	0	F11
4335A-LBA2-C01	0	F04	45134-KED9-C00	0	F04		50330-ALK5-C00	1	F20
43500-LKG5-C00	0	F04	45200-LKG7-C01	0	F04		50350-ABD2-C01	0	F20
44000			45203-KED9-C00	0	F04		50352-LBA2-E00	0	F20
			45207-LGE5-C00	0	F04	50353-LEA7-E00	0	F20	
			45209-GBE2-C00	0	F04	50360-AGE7-C00	0	F20	
44301-LEA7-E00	0	F07	45209-KED9-C00	0	F04	50500-AGE7-C01	0	F15	
44311-AGD8-C00	0	F07	45210-LKG7-C00	0	F04	50502-LDF7-C00	1	F15	
44312-AGD8-C00	0	F07	45352-LEA7-E00	0	F07	50504-AGE7-C00	0	E01	
44601-AGE7-C00	0	F07	45500-LKG7-C00	0	F04	50505-AEF6-C00	0	F15	
44620-LEA7-C00	0	F07	45513-LEA7-C00	0	F04	50505-PUA3-B50	2	F15	
44710-AGE7-E60	0	F07	45513-LEA7-E00	0	F04	50506-AEF6-C00	0	F15	
45000			45517-LBA2-C00	0	F04	50506-KHE7-E00	0	F15	
			45531-KED9-C00	0	F04	50507-AEF6-C00	0	F15	
			49000			50530-AGE7-C00	0	F15	
45105-LGE5-305	0	F04				50550-KKC2-C00	0	F15	
45107-LGE5-C00	0	F04				50610-AGE7-C00	0	F05	
45108-LDH1-C00	0	F04	49100-AGE7-C00	0	F04	50615-AGE7-C00	0	F20	
45108-LGE5-C00	0	F04	49110-AGE7-C00	0	F04	50616-AGE7-C00	0	F20	
45109-GBE2-C00	0	F04	49211-LFH1-E00	1	F04	50623-AGE7-C00	0	F20	

PART NO. INDEX

PART NO.	VERSION	PAGE	PART NO.	VERSION	PAGE	PART NO.	VERSION	PAGE
50624-AGE7-C00	0	F20				53228-AGE7-C00	0	F03
5071A-LDA6-C00	2	F12	53000			53229-AGE7-C00	0	F03
5071B-LDA6-C00	2	F12				53240-LEA7-90A	2	F06
51000			53100-AGD8-C00	0	F03	53250-LEA7-90A	2	F06
51400-AGE8-E60	0	F06	53105-LEA7-C00	0	F03	61000		
51401-ABD2-C00	0	F06	53106-LEA7-C00	0	F03	61100-AGE7-C00	0	F06
51404-LDH1-C00	0	F06	53125-LEA7-C00	1	F03	61101-AGE7-C00	0	F06
51410-AGE7-C00	0	F06	5312A-AGD8-C00	0	F03	61102-AGE7-C00	0	F06
51412-LLJ3-C00	0	F06	53133-3H98-C00	0	F03	61110-AGE7-C00	0	F05
51416-LDH1-C00	0	F06	53134-2C83-C01	1	F03	64000		
51420-ABD2-C01	0	F06	53140-LHJ3-900	0	F03	64206-MLJ0-C01	0	F12
51422-KED9-C00	0	F06	53150-LEA6-900	0	F03	64220-AGE8-E00	0	F03
51427-LDH1-C00	0	F06	53175-LKF5-C00	0	F04	64221-AGE7-C00	0	F03
51427-LLJ3-C00	0	F06	53178-LKF5-C00	0	F04	64222-LLJ3-C00	0	F06
51429-LEA7-E00	0	F06	53200-AGE7-C00	0	F06	64223-LEA7-C00	0	F03
51430-LGE5-C00	0	F04	53203-AGE7-C00	0	F03	64224-AGE7-C00	0	F03
51437-LDH1-C00	0	F06	53204-AGE7-C00	0	F03	64225-LEA7-E00	1	F03
51500-AGE8-E60	0	F06	53205-AGE7-C00	0	F03	64226-LEA7-E00	0	F03
51520-ABD2-C01	0	F06	53206-ABD2-C00	0	F03	64301-AGE7-C00	0	F05
52000			53207-AGE7-C00	0	F03	64302-AGE7-C00	0	F05
52000-ABD2-C00	0	F16	53208-AGE7-C01	0	F03	64303-AGE7-C00	0	F05
52400-AGE8-E60	0	F16	53209-AGE7-C01	0	F03	64304-AGE7-C00	0	F05
			53213-LBA2-C00	0	F06			
			53213-LEA7-C00	0	F06			
			53214-LBA2-C00	0	F06			
			53220-LBA2-E00	0	F06			

PART NO. INDEX

PART NO.	VERSION	PAGE	PART NO.	VERSION	PAGE	PART NO.	VERSION	PAGE
64305-AGE7-C00	0	F05	80106-AGE7-C00	0	F05	81173-AGE7-C00	0	F03
64306-AGE7-C00	0	F05	80116-ACC1-E10	1	F19	81200-AGE7-C01	0	F12
64307-AGE7-C01	0	F05	80151-AGD8-C00	0	F05	81211-AGE7-C00	0	F03
64308-AGE7-C01	0	F05	80152-AGE7-900	0	F05	81251-AGE7-C00	0	F12
64311-AEF6-C00	0	F05	80152-AGE7-C00	0	F05	81252-AGE8-E00	0	F12
64311-AGE7-C00	0	F05	80153-ACC1-E10	1	F05	8125A-AGE8-E00	0	F12
64315-AGE7-C00	0	F20	80153-AGE7-C00	0	F05	81260-AGE8-E00	0	F12
64316-AGE7-C00	0	F20	8015A-AGE7-C00	0	F05			
64317-AGE7-C00	0	F05	80161-AGE7-900	0	F05	83000		
6431A-AGE7-C00	0	F05	80161-AGE7-C00	0	F05			
64320-AGE7-C00	0	F05				83500-AGE7-C00	0	F12
6432A-AGE7-C01	0	F05	81000			83510-AGE7-900	0	F12
6432B-AGE7-C01	0	F05				83510-AGE7-C00	0	F12
64330-AGE7-C00	0	F05	81132-ACC1-E10	2	F05	83550-ABD2-C00	0	F03
64400-AGE7-C00	0	F05	81132-ACC1-E10	2	F09	83550-KEC8-C00	4	F03
77000			81133-AGE7-900	0	F05	83550-KEC8-C00	4	F06
			81133-AGE7-C00	0	F05	83550-KEC8-C00	4	F18
			81134-AGE7-C00	0	F05	83551-KEC8-C10	4	F03
77200-AGE8-EZ5	0	F09	8113A-AGE7-C00	0	F05	83551-KEC8-C10	4	F06
77235-LEA1-C00	0	F19	81143-AGE7-900	0	F05	83551-KEC8-C10	4	F18
77240-AGE7-C00	0	F19	81143-AGE7-C00	0	F05	83600-AGE7-C00	0	F12
80000			81144-ALJ8-E10	2	F12	83610-AGE7-900	0	F12
			81150-AGE7-C00	0	F05	83610-AGE7-C00	0	F12
			81153-AGE7-C00	0	F05	83750-AGE7-C00	0	F12
80101-AGE8-E00	0	F18	81158-AGE7-C00	0	F03			
80105-AGE7-C00	0	F18	81163-AGE7-C00	0	F03			

PART NO. INDEX

PART NO.	VERSION	PAGE	PART NO.	VERSION	PAGE	PART NO.	VERSION	PAGE
84000			88000			90106-KFC2-900	2	F12
						90106-LKF5-C01	0	F20
84707-AGE7-C00	0	F18	88110-ABD2-C01	0	F03	90106-PUA3-B50	0	F03
			88120-ABD2-C01	0	F03	90106-PUA3-B50	0	F20
85000			89000			90107-LEA7-C01	1	F03
						90107-LEA7-C01	1	F06
85104-AGE7-C00	0	F20				90108-KKC4-900	0	F15
			89010-ABD2-C00	0	F09	90111-06016-07G	0	F03
86000			89020-KKC4-C00	1	F09	90111-06016-07G	0	F05
			90000			90111-06016-07G	0	F12
86020-AGD8-C00	0	F22				90111-06016-07G	0	F20
86021-AGD8-C00	0	F22				90113-LGE5-C01	0	F04
86140-AGE7-C00	0	F22	90001-GBHB-C05	0	E03	90114-GDM4-C01	1	F13
86202-AGE8-E00	0	F22	90001-GBHB-C05	0	E06	90116-KEC8-C00	0	F06
86524-ABD2-C00	0	F22	90005-KAW1-C00	0	E03	90122-LEA7-C01	0	F07
			9000A-KTDT-C03	0	E01	90122-LEA7-C01	0	F08
87000			90031-KHD6-C01	0	E01	90145-LFH1-E00	1	F04
			90031-LFE2-C01	0	E01	90145-MKS9-C00	0	F04
87160-AAC7-E60	0	F22	90084-KKF9-901	0	E04	90201-KHE7-C01	0	E05
87508-ABD2-E00	0	F22	9008A-KHE7-C00	0	E04	90201-KHR8-C01	1	E05
87512-ABD2-E00	0	F22	90101-LKF5-C01	0	F20	90201-KHR8-C01	1	E06
87541-GAR1-C01	1	F22	90104-LEA7-C01	0	F03	90202-1G87-C00	1	E05
87542-GAR1-C01	2	F22	90105-KCR3-C02	1	F08	90215-KKC4-C00	1	F19
87546-AGE3-E00	0	F22	90105-LEA7-E00	0	F07	90301-6C93-C01	1	F09
87560-AGE8-E00	0	F22	90106-KFC2-900	2	F03	90301-6C93-C01	1	F12
						90301-6D34-C01	1	F10

PART NO. INDEX

PART NO.	VERSION	PAGE	PART NO.	VERSION	PAGE	PART NO.	VERSION	PAGE
90301-6D34-C01	1	F20	90401-KKJ9-001	0	E06	90677-GAR1-C01	1	F11
90301-GFY6-C01	0	F14	90423-KKJ9-C00	0	E04	90754-LLJ3-C00	0	F07
90302-GBR2-C01	1	F18	90441-GFY6-C01	1	E05	90914-AGE7-C00	0	F10
90302-GFY6-C11	1	F11	90441-KDY4-C00	0	E01	90914-AGE7-C00	0	F20
90302-GFY6-C11	1	F18	90441-KKC4-C00	0	E07			
90302-GFY6-C11	1	F19	90465-MDC4-C01	0	E02	91000		
90302-LKB9-C00	0	F03	90474-3C33-C00	1	E01			
90302-LKB9-C00	0	F05	90478-7L00-001	0	E02	91001-KKJ9-C00	0	E04
90302-LKB9-C00	0	F12	90481-GGS7-C00	0	E02	91002-GGA7-C00	0	E05
90302-PUA3-B51	1	F03	90503-LEA7-C00	0	F06	91003-KHE7-90A	0	E01
90302-SDA4-C01	0	F06	9052A-LEB1-C01	0	E01	91004-KHE7-C00	0	E05
90302-SDA4-C01	0	F11	90544-KEC8-C00	0	F06	91009-KHE7-C00	0	E07
90302-SDA4-C01	0	F12	90545-3L00-C00	2	F04	91201-ABD6-C00	0	E04
90302-SDA4-C01	0	F19	90601-LLJ3-C00	0	F06	91202-KKC4-C00	0	E01
90304-GHE8-C01	0	F20	90605-1F66-C00	0	E05	91202-LHG7-C00	0	E01
90304-LBD4-C01	1	F20	90651-AGD8-C00	0	F19	91211-KHE7-C00	1	E05
90304-LEA1-C01	1	F15	90651-AGE7-C00	0	F19	91251-LLJ3-C00	0	F06
90304-PUA3-B50	0	F03	90651-ALJ8-E10	1	F19	91255-KHE7-90A	1	E01
90304-PUA3-B50	0	F16	90651-LLJ3-C00	0	F06	91255-LGE5-C00	0	F16
90304-PUA3-B50	0	F20	90652-GFY6-C00	1	E02	91255-LLB1-C00	0	F16
90305-KKAK-C00	0	F08	90652-KHE7-900	0	F13	91301-KHE7-900	0	E02
90305-LBA2-C00	0	F03	90652-LCA4-C10	6	F05	91301-LDF2-M90	0	E02
90305-LBA2-C00	0	F06	90652-LCA4-C10	6	F12	91302-0A01-C00	10	E04
90305-MAA1-C01	0	F20	90652-LFB5-C00	1	F05	91302-LDF2-M90	2	E02
90312-LLJ3-C00	0	F06	90652-LFB5-C00	1	F12	91303-3G77-C00	0	E04
90401-KKJ9-001	0	E05	90662-ZZA6-E03	0	F10	91306-1E05-C00	1	E03

PART NO. INDEX

PART NO.	VERSION	PAGE	PART NO.	VERSION	PAGE	PART NO.	VERSION	PAGE
91307-0E35-W10	1	E04	93903-25460	0	F13	94050-06080-G	1	E02
91351-KHE7-C00	1	E05	93903-25480	1	F02	94050-08080-G	1	E02
92000			93903-34380-G	0	F03	94050-08080-G	1	F19
			93903-34380-G	0	F06	94050-ALD7-C11	0	F03
			93903-34380-G	0	F11	94101-06000-G	0	F20
92000-05016-07G	0	E06	93903-34380-G	0	F18	94101-LBA2-C01	1	F20
92000-06012-0HG	0	E01	93903-35280-G	1	F01	94101-LEA2-C00	0	F14
92101-05012-0HG	1	E01	93903-35280-G	1	F03	94301-08140	4	E04
92101-05012-0HG	1	F07	93903-35280-G	1	F05	94301-10160	4	E01
92101-05032-0HG	1	E06	93903-35280-G	1	F17	94301-10160	4	E02
92900-06050-08G	1	E02	93903-35280-G	1	F18	94301-10160	4	E03
92900-08046-0BG	1	E02	93903-35280-G	1	F20	94301-10160	4	E04
93000			93903-35380-G	1	F03	94301-10160	4	E07
			93903-GFY6-C01	1	F06	94510-10000	0	E06
			93903-GFY6-C01	1	F19	94520-26000	0	E04
93404-06012-07G	0	F18	93903-KEB7-C01	1	F03	94520-28000	1	E05
93404-06016-07G	1	F18	93903-LHJ8-C01	1	F01	94520-47000	0	F16
93404-06016-08G	0	F15	93903-LHJ8-C01	1	F03	94591-25000	1	F05
93404-06025-07G	1	F03	93903-LHJ8-C01	1	F05	94591-KFBF-C00	1	E02
93404-06025-07G	1	F20	94000			94591-LGR5-E10	1	F05
93500-05016-0H	0	E02				94601-17000	0	E03
93500-06012-0B	0	F20				94608-LLJ3-C00	0	F06
93600-04012-1G	1	F04	94050-05080-G	1	F18	95000		
93891-05016-06	0	F13	94050-06060	1	F04			
93892-04008-16	1	E08	94050-06070-G	0	F19			
93893-04012-18	0	F04	94050-06070-G	0	F20	95014-72204-G	0	F15

PART NO. INDEX

PART NO.	VERSION	PAGE	PART NO.	VERSION	PAGE	PART NO.	VERSION	PAGE		
95701-06012-07G	1	F04	96000			96600-08018-08G	1	E06		
95701-06012-07G	1	F20				96600-ABD2-E00	0	F14		
95701-06012-08G	1	E02				96600-AGE7-C00	0	F14		
95701-06012-08G	1	F10		96001-06010-00	0	E02	96600-LGE5-C00	0	F04	
95701-06012-08G	1	F11		96001-06012-07G	1	F04	96700-KED9-C01	1	F06	
95701-06020-07G	1	F19		96001-06012-07G	1	F06	98000			
95701-06025-07G	1	E02		96001-06012-07G	1	F19				
95701-06025-07G	1	E07		96001-06012-08G	1	E06				
95701-06035-07G	3	F20		96001-06012-08G	1	F19		98069-5691R-00	0	E02
95701-06045-07G	1	F20		96001-06016-08G	1	E01		98200-31000	1	F11
95701-06050-07G	1	F06		96001-06018-02	0	E04		98200-31500	1	F11
95701-08012-08G	1	E01		96001-06018-08G	1	E02		98200-32500	0	F11
95701-08016-07G	1	F20		96001-06022-07G	1	E04		98200-33000	0	F11
95701-08030-07G	0	E07		96001-06028-07G	1	E04		K		
95701-08035-07G	1	E07		96001-06032-07G	1	F20				
95701-KHC5-C00	1	F19		96001-06045-07G	1	E04				
95801-08040-08G	1	F06		96001-06050-08G	1	E01	K536-174-0200		1	E08
95801-08050-07G	1	F16		96001-06110-08G	1	E02	N			
95801-08055-07G	1	F16		96001-06125-07G	0	E04				
95801-10030-07G	1	F15	96001-06130-07G	0	E04					
95801-10040-08G	1	F16	96100-60000-00	0	E04	N114-05103-3			1	E08
95801-10045-07G	1	F14	96100-63020-00	0	E01	W				
95801-10057-07G	1	F14	96100-63020-00	0	E07					
			96100-63040-00	1	E01					
			96150-60020-10	0	F07			W1792-048-9901	1	E08
			96150-62040-10	0	F16					